

INTERNATIONAL STANDARD

NORME INTERNATIONALE

Insulators for overhead lines – Composite line post insulators for A.C. systems with a nominal voltage greater than 1 000 V – Definitions, test methods and acceptance criteria

Isolateurs pour lignes aériennes – Isolateurs composites rigides à socle pour systèmes à courant alternatif de tension nominale supérieure à 1 000 V – Définitions, méthodes d’essai et critères d’acceptation



THIS PUBLICATION IS COPYRIGHT PROTECTED

Copyright © 2008 IEC, Geneva, Switzerland

All rights reserved. Unless otherwise specified, no part of this publication may be reproduced or utilized in any form or by any means, electronic or mechanical, including photocopying and microfilm, without permission in writing from either IEC or IEC's member National Committee in the country of the requester.

If you have any questions about IEC copyright or have an enquiry about obtaining additional rights to this publication, please contact the address below or your local IEC member National Committee for further information.

Droits de reproduction réservés. Sauf indication contraire, aucune partie de cette publication ne peut être reproduite ni utilisée sous quelque forme que ce soit et par aucun procédé, électronique ou mécanique, y compris la photocopie et les microfilms, sans l'accord écrit de la CEI ou du Comité national de la CEI du pays du demandeur.

Si vous avez des questions sur le copyright de la CEI ou si vous désirez obtenir des droits supplémentaires sur cette publication, utilisez les coordonnées ci-après ou contactez le Comité national de la CEI de votre pays de résidence.

IEC Central Office
3, rue de Varembe
CH-1211 Geneva 20
Switzerland
Email: inmail@iec.ch
Web: www.iec.ch

About the IEC

The International Electrotechnical Commission (IEC) is the leading global organization that prepares and publishes International Standards for all electrical, electronic and related technologies.

About IEC publications

The technical content of IEC publications is kept under constant review by the IEC. Please make sure that you have the latest edition, a corrigenda or an amendment might have been published.

- Catalogue of IEC publications: www.iec.ch/searchpub

The IEC on-line Catalogue enables you to search by a variety of criteria (reference number, text, technical committee,...). It also gives information on projects, withdrawn and replaced publications.

- IEC Just Published: www.iec.ch/online_news/justpub

Stay up to date on all new IEC publications. Just Published details twice a month all new publications released. Available on-line and also by email.

- Electropedia: www.electropedia.org

The world's leading online dictionary of electronic and electrical terms containing more than 20 000 terms and definitions in English and French, with equivalent terms in additional languages. Also known as the International Electrotechnical Vocabulary online.

- Customer Service Centre: www.iec.ch/webstore/custserv

If you wish to give us your feedback on this publication or need further assistance, please visit the Customer Service Centre FAQ or contact us:

Email: csc@iec.ch
Tel.: +41 22 919 02 11
Fax: +41 22 919 03 00

A propos de la CEI

La Commission Electrotechnique Internationale (CEI) est la première organisation mondiale qui élabore et publie des normes internationales pour tout ce qui a trait à l'électricité, à l'électronique et aux technologies apparentées.

A propos des publications CEI

Le contenu technique des publications de la CEI est constamment revu. Veuillez vous assurer que vous possédez l'édition la plus récente, un corrigendum ou amendement peut avoir été publié.

- Catalogue des publications de la CEI: www.iec.ch/searchpub/cur_fut-f.htm

Le Catalogue en-ligne de la CEI vous permet d'effectuer des recherches en utilisant différents critères (numéro de référence, texte, comité d'études,...). Il donne aussi des informations sur les projets et les publications retirées ou remplacées.

- Just Published CEI: www.iec.ch/online_news/justpub

Restez informé sur les nouvelles publications de la CEI. Just Published détaille deux fois par mois les nouvelles publications parues. Disponible en-ligne et aussi par email.

- Electropedia: www.electropedia.org

Le premier dictionnaire en ligne au monde de termes électroniques et électriques. Il contient plus de 20 000 termes et définitions en anglais et en français, ainsi que les termes équivalents dans les langues additionnelles. Egalement appelé Vocabulaire Electrotechnique International en ligne.

- Service Clients: www.iec.ch/webstore/custserv/custserv_entry-f.htm

Si vous désirez nous donner des commentaires sur cette publication ou si vous avez des questions, visitez le FAQ du Service clients ou contactez-nous:

Email: csc@iec.ch
Tél.: +41 22 919 02 11
Fax: +41 22 919 03 00



IEC 61952

Edition 2.0 2008-05

INTERNATIONAL STANDARD

NORME INTERNATIONALE

Insulators for overhead lines – Composite line post insulators for A.C. systems with a nominal voltage greater than 1 000 V – Definitions, test methods and acceptance criteria

Isolateurs pour lignes aériennes – Isolateurs composites rigides à socle pour systèmes à courant alternatif de tension nominale supérieure à 1 000 V – Définitions, méthodes d'essai et critères d'acceptation

INTERNATIONAL
ELECTROTECHNICAL
COMMISSION

COMMISSION
ELECTROTECHNIQUE
INTERNATIONALE

PRICE CODE
CODE PRIX

U

ICS 29.080.10; 29.240.20

ISBN 2-8318-9784-X

CONTENTS

FOREWORD.....	4
INTRODUCTION.....	6
1 Scope.....	8
2 Normative references.....	8
3 Terms and definitions.....	8
4 Abbreviations.....	10
5 Identification.....	10
6 Environmental conditions.....	11
7 Transport, storage and installation.....	11
8 Tolerances.....	11
9 Classification of tests.....	11
9.1 Design tests.....	11
9.2 Type tests.....	12
9.3 Sample tests.....	12
9.4 Routine tests.....	12
10 Design tests.....	13
10.1 General.....	13
10.2 Test specimens for IEC 62217.....	14
10.2.1 Tests on interfaces and connections of end fittings.....	14
10.2.2 Tracking and erosion test.....	14
10.2.3 Tests on core material.....	15
10.3 Product specific pre-stressing for IEC 62217 tests on interfaces and connections of end fittings.....	15
10.3.1 Thermal-mechanical pre-stressing.....	15
10.4 Assembled core load tests.....	15
10.4.1 Test for the verification of the maximum design cantilever load (MDCL).....	15
10.4.2 Tensile load test.....	16
11 Type tests.....	16
11.1 Electrical tests.....	17
11.1.1 Vertical mounting arrangement.....	17
11.1.2 Horizontal mounting arrangement.....	17
11.2 Mechanical tests.....	18
11.2.1 Cantilever failing load test.....	18
12 Sample tests.....	19
12.1 General rules.....	19
12.2 Verification of dimensions (E1 + E2).....	19
12.3 Galvanizing test (E1 + E2).....	19
12.4 Verification of the SCL (E1).....	19
12.4.1 Test procedure.....	19
12.4.2 Acceptance criteria.....	20
12.5 Re-testing procedure.....	20
13 Routine tests.....	20
13.1 Tensile load test.....	20
13.2 Visual examination.....	20

Annex A (informative) Notes on the mechanical loads and tests	22
Annex B (informative) Determination of the equivalent bending moment caused by combined loads.....	24
Bibliography.....	27
Figure 1 – Thermal-mechanical pre-stressing test – Typical cycles	21
Figure B.1 – Combined loads applied to unbraced insulators	25
Figure B.2 – Combined loads applied to braced insulators	26
Table 1 – Tests to be carried out after design changes	13
Table 2 – Design tests	14
Table 3 – Mounting arrangements for electrical tests	17
Table 4 – Sample sizes according to lot size.....	19

INTERNATIONAL ELECTROTECHNICAL COMMISSION

**INSULATORS FOR OVERHEAD LINES –
COMPOSITE LINE POST INSULATORS FOR A.C.
SYSTEMS WITH A NOMINAL VOLTAGE
GREATER THAN 1 000 V –
DEFINITIONS, TEST METHODS AND ACCEPTANCE CRITERIA**

FOREWORD

- 1) The International Electrotechnical Commission (IEC) is a worldwide organization for standardization comprising all national electrotechnical committees (IEC National Committees). The object of IEC is to promote international co-operation on all questions concerning standardization in the electrical and electronic fields. To this end and in addition to other activities, IEC publishes International Standards, Technical Specifications, Technical Reports, Publicly Available Specifications (PAS) and Guides (hereafter referred to as “IEC Publication(s)”). Their preparation is entrusted to technical committees; any IEC National Committee interested in the subject dealt with may participate in this preparatory work. International, governmental and non-governmental organizations liaising with the IEC also participate in this preparation. IEC collaborates closely with the International Organization for Standardization (ISO) in accordance with conditions determined by agreement between the two organizations.
- 2) The formal decisions or agreements of IEC on technical matters express, as nearly as possible, an international consensus of opinion on the relevant subjects since each technical committee has representation from all interested IEC National Committees.
- 3) IEC Publications have the form of recommendations for international use and are accepted by IEC National Committees in that sense. While all reasonable efforts are made to ensure that the technical content of IEC Publications is accurate, IEC cannot be held responsible for the way in which they are used or for any misinterpretation by any end user.
- 4) In order to promote international uniformity, IEC National Committees undertake to apply IEC Publications transparently to the maximum extent possible in their national and regional publications. Any divergence between any IEC Publication and the corresponding national or regional publication shall be clearly indicated in the latter.
- 5) IEC provides no marking procedure to indicate its approval and cannot be rendered responsible for any equipment declared to be in conformity with an IEC Publication.
- 6) All users should ensure that they have the latest edition of this publication.
- 7) No liability shall attach to IEC or its directors, employees, servants or agents including individual experts and members of its technical committees and IEC National Committees for any personal injury, property damage or other damage of any nature whatsoever, whether direct or indirect, or for costs (including legal fees) and expenses arising out of the publication, use of, or reliance upon, this IEC Publication or any other IEC Publications.
- 8) Attention is drawn to the Normative references cited in this publication. Use of the referenced publications is indispensable for the correct application of this publication.
- 9) Attention is drawn to the possibility that some of the elements of this IEC Publication may be the subject of patent rights. IEC shall not be held responsible for identifying any or all such patent rights.

International Standard IEC 61952 has been prepared by subcommittee 36B: Insulators for overhead lines, of IEC technical committee 36: Insulators.

This second edition cancels and replaces the first edition published in 2002. This edition constitutes a technical revision.

This edition includes the following significant technical changes with respect to the previous edition:

- removal of tests procedures now given in IEC 62217,
- inclusion of clauses on tolerances, environmental conditions, transport, storage and installation,
- changes in the parameters determining the need to repeat design and type tests,
- clarification of the mounting arrangements for electrical type tests,
- modification of the specification of load application in bending tests to simplify testing,

- additional requirements for the visual examination,
- removal of the annex explaining the concept of classes for design tests.

The text of this standard is based on the following documents:

FDIS	Report on voting
36B/273/FDIS	36B/275/RVD

Full information on the voting for the approval of this standard can be found in the report on voting indicated in the above table.

This publication has been drafted in accordance with the ISO/IEC Directives, Part 2.

The committee has decided that the contents of this publication will remain unchanged until the maintenance result date indicated on the IEC web site under "<http://webstore.iec.ch>" in the data related to the specific publication. At this date, the publication will be

- reconfirmed;
- withdrawn;
- replaced by a revised edition, or
- amended.

INTRODUCTION

Composite line post insulators consist of a cylindrical solid insulating core, bearing the mechanical load, protected by a polymeric housing, the loads being transmitted to the core by metal fittings. Despite these common features, the materials used and the construction details employed by different manufacturers may be different.

Some tests have been grouped together as "design tests", to be performed only once on insulators which satisfy the same design conditions. All the design tests defined in IEC 62217 are applied for composite line post insulators; additional specific mechanical tests are given in this standard. As far as practical, the influence of time on the electrical and mechanical properties of the components (core material, housing, interfaces, etc.) and of the complete composite insulators has been considered in specifying the design tests to ensure a satisfactory life-time under normally known stress conditions of transmission lines.

Composite insulators are used in both a.c. and d.c. applications. In spite of this fact a specific tracking and erosion test procedure for d.c. applications as a design test has not yet been defined and accepted. The 1 000 h a.c. tracking and erosion test of IEC 62217 is used to establish a minimum requirement for the tracking resistance of the housing material.

The approach for mechanical testing under bending loads used in this standard is based on the work of CIGRE [1]¹. This approach uses the concept of a damage limit which is the maximum stress which can be developed in the insulator before damage begins to occur. Annex A gives some notes on the mechanical loads and tests used in this standard.

Line post insulators are often used in braced structures whose geometry varies from line to line. A combined loading test to reproduce the complex loading cases in such structures is outside the scope of this standard and it would be very difficult to specify a general test which covers the majority of geometry and loading cases. In order to give some guidance, Annex B explains how to calculate the moment in the insulators resulting from combined loads. This moment can then be equated to an equivalent bending load or stress for design purposes. Further information is available from CIGRE [2].

Compression load tests are not specified in this standard. The mechanical loads expected from service stress acting on line post insulators are mostly combined loads. These loads will cause some deflection on the insulator. Compression loads applied on pre-deflected insulators will lead to results largely dependent on the pre-deflection. Therefore a pure compression test has little meaning since the deflection prior to the cantilever load test cannot be specified.

Pollution tests, as specified in IEC 60507 [3], are not included in this standard, their applicability to composite line post insulators not having been proven. Such pollution tests performed on insulators made of non-ceramic materials do not correlate with experience obtained from service. Specific pollution tests for non-ceramic insulators are under consideration.

¹ Figures in square brackets refer to the bibliography.

It has not been considered useful to specify a power arc test as a mandatory test. The test parameters are manifold and can have very different values depending on the configurations of the network and the supports and on the design of arc-protection devices. The heating effect of power arcs should be considered in the design of metal fittings. Critical damage to the metal fittings, resulting from the magnitude and duration of the short-circuit current can be avoided by properly designed arc-protection devices.

This standard, however, does not exclude the possibility of a power arc test by agreement between the user and manufacturer. IEC 61467 [4] gives details of a.c. power arc testing of insulator sets.

Radio interference and corona tests are not specified in this standard since the RIV and corona performance are not characteristics of the insulator alone.

Composite hollow core line post insulators are currently not dealt with in this standard. IEC 61462 [5] gives details of tests on hollow core composite insulators, many of which can be applied to such line post insulators.

Torsion loads are not dealt with in this standard since they are usually negligible in the configuration in which line post insulators are generally used. Specific applications where high torsion loads can occur are outside the scope of this standard.

The application of this standard to hybrid line post insulators (e.g. those having a core made of a material other than resin impregnated fibres) has not been fully studied. For example, in general the load-time mechanical tests and tests for core material are not applicable to porcelain cores. It is therefore recommended that this standard be considered as a provisional standard for hybrid line post insulators, using an agreed selection of tests from this standard and from IEC 60383-1.

Wherever possible, IEC Guide 111 [6] has been followed for the drafting of this standard.

INSULATORS FOR OVERHEAD LINES – COMPOSITE LINE POST INSULATORS FOR A.C. SYSTEMS WITH A NOMINAL VOLTAGE GREATER THAN 1 000 V – DEFINITIONS, TEST METHODS AND ACCEPTANCE CRITERIA

1 Scope

This International Standard applies to composite line post insulators consisting of a load-bearing cylindrical insulating solid core consisting of fibres – usually glass – in a resin-based matrix, a housing (outside the insulating core) made of polymeric material and end fittings permanently attached to the insulating core.

Composite line post insulators covered by this standard are subjected to cantilever, tensile and compressive loads, when supporting the line conductors. They are intended for use on a.c. overhead lines with a rated voltage greater than 1 000 V and a frequency not greater than 100 Hz.

The object of this standard is

- to define the terms used,
- to prescribe test methods,
- to prescribe acceptance or failure criteria.

This standard does not include requirements dealing with the choice of insulators for specific operating conditions.

2 Normative references

The following referenced documents are indispensable for the application of this document. For dated references, only the edition cited applies. For undated references, the latest edition of the referenced document (including any amendments) applies.

IEC 60383-1, *Insulators for overhead lines with a nominal voltage above 1 000 V – Part 1: Ceramic or glass insulator units for a.c. systems – Definitions, test methods and acceptance criteria*

IEC 60383-2, *Insulators for overhead lines with a nominal voltage above 1 000 V – Part 2: Insulator strings and insulator sets for a.c. systems – Definitions, test methods and acceptance criteria*

IEC 62217, *Polymeric insulators for indoor and outdoor use with a nominal voltage above 1 000 V – General definitions, test methods and acceptance criteria*

ISO 3452, *Non-destructive testing – Penetrant inspection – General principles*

3 Terms and definitions

For the purposes of this document, the following terms and definitions apply.

NOTE Certain terms from IEC 62217 are reproduced here for ease of reference. Additional definitions applicable to insulators can be found in IEC 60050(471) [7].

3.1

composite line post insulator

insulator consisting of a load-bearing cylindrical insulating solid core, a housing and end fittings attached to the insulating core. It is intended to be subjected to cantilever, tensile and compressive loads

3.2

core of a composite insulator

the internal insulating part of a composite insulator which is designed to ensure the mechanical characteristics. The core usually consists of either fibres (e.g. glass) which are positioned in a resin-based matrix or a homogeneous insulating material (e.g. porcelain or resin)

[IEV 471-01-03, modified]

3.3

insulator trunk

central insulating part of an insulator from which the sheds project

NOTE Also known as shank on smaller insulators.

[IEV 471-01-11]

3.4

housing

external insulating part of a composite insulator providing the necessary creepage distance and protecting core from the environment

NOTE An intermediate sheath made of insulating material may be part of the housing.

[IEV 471-01-09]

3.5

shed of an insulator

insulating part, projecting from the insulator trunk, intended to increase the creepage distance. The shed can be with or without ribs

[IEV 471-01-15]

3.6

interfaces

surface between the different materials. Various interfaces occur in most composite insulators, e.g.

- between housing and fixing devices,
- between various parts of the housing, e.g. between sheds, or between sheath and sheds,
- between core and housing

[IEC 62217, definition 3.10]

3.7

end fitting

integral component or formed part of an insulator intended to connect it to a supporting structure, or to a conductor, or to an item of equipment, or to another insulator

NOTE Where the end fitting is metallic, the term “metal fitting” is normally used.

[IEV 471-01-06, modified]

3.8

connection zone

zone where the mechanical load is transmitted between the insulating body and the end fitting

[IEC 62217, definition 3.12]

3.9

coupling

part of the end fitting which transmits the load to the accessories external to the insulator

[IEC 62217, definition 3.13 modified]

3.10

delamination of the core

irreversible loss of bonding within fibre laminates perceivable by the naked eye

3.11

failing load

maximum load that is reached when the insulator is tested under the prescribed conditions

3.12

specified cantilever load

SCL

cantilever load which can be withstood by the insulator at the line end fitting when tested under the prescribed conditions. This value is specified by the manufacturer

3.13

maximum design cantilever load

MDCL

load level above which damage to the core begins to occur and which is the ultimate limit for service loads. This value and direction of the load are specified by the manufacturer

3.14

specified tensile load

STL

tensile load which can be withstood by the insulator when tested under the prescribed conditions. This value is specified by the manufacturer

4 Abbreviations

The following abbreviations are used in this standard:

E1, E2	Sample sets for sample tests
MDCL	Maximum design cantilever load
SCL	Specified cantilever load
STL	Specified tensile load

5 Identification

In addition to the requirements of IEC 62217, each insulator shall be marked with the MDCL or with the relevant IEC designation.

It is recommended that each insulator be marked or labelled by the manufacturer to show that it has passed the routine mechanical test.

NOTE At present, there is no IEC standard giving designations of composite line post insulators.

6 Environmental conditions

The normal environmental conditions to which line post insulators are submitted in service are defined in IEC 62217.

7 Transport, storage and installation

In addition to the requirements of IEC 62217, information on handling of composite insulators can be found in CIGRE Technical Brochure 184 [8]. During installation composite insulators may be submitted to torsion loads for which they are not designed. In the absence of specific guidance from the manufacturer, torsion loads leading to stress in the core above 15 MPa shall be avoided.

8 Tolerances

Unless otherwise agreed, a tolerance of

$$\pm (0,04 \times d + 1,5) \text{ mm when } d \leq 300 \text{ mm,}$$

$$\pm (0,025 \times d + 6) \text{ mm when } d > 300 \text{ mm with a maximum tolerance of } \pm 50 \text{ mm,}$$

shall be allowed on all dimensions for which specific tolerances are not requested or given on the insulator drawing (d being the dimension in millimetres).

The measurement of creepage distances shall be related to the design dimensions and tolerances as determined from the insulator drawing, even if this dimension is greater than the value originally specified. When a minimum creepage is specified, the negative tolerance is also limited by this value.

In the case of insulators with creepage distance exceeding 3 m, it is allowed to measure a short section around 1 m long of the insulator and to extrapolate.

9 Classification of tests

9.1 Design tests

These tests are intended to verify the suitability of the design, materials and method of manufacture (technology). A composite line post insulator design is defined by the following elements:

- materials of the core, housing and their manufacturing method,
- material of the end fittings, their design and method of attachment (excluding the coupling),
- layer thickness of the housing over the core (including a sheath where used),
- diameter of the core.

When changes in the design occur, re-qualification shall be carried out in accordance with Table 1.

When a composite line post insulator is submitted to the design tests, it becomes a parent insulator for a given design and the results shall be considered valid for that design only. This tested parent insulator defines a particular design of insulators which have all the following characteristics:

- a) same materials for the core and housing and same manufacturing method;

- b) same material of the fittings, the same connection zone design, and the same housing-to-fitting interface geometry;
- c) same or greater minimum layer thickness of the housing over the core (including a sheath where used);
- d) same or smaller stress under mechanical loads;
- e) same or greater diameter of the core;
- f) equivalent housing profile parameters, see footnote ^{a)} in Table 1.

9.2 Type tests

These tests are intended to verify the main characteristics of a composite line post insulator which depend mainly on its shape and size. Type tests shall be applied to composite insulators, the class of which has passed the design tests. They shall be repeated only when the type or material of the composite insulator is changed (see Clause 11).

9.3 Sample tests

The sample tests are for the purpose of verifying other characteristics of composite insulators, including those which depend on the quality of manufacture and on the materials used. They are made on insulators taken at random from lots offered for acceptance.

9.4 Routine tests

These tests are intended to eliminate composite line post insulators with manufacturing defects. They shall be made on every composite line post insulator offered for acceptance.

Table 1 – Tests to be carried out after design changes

IF the change in insulator design concerns:...		THEN the following design tests shall be repeated:									
		Design tests								Type tests	
		IEC 62217	IEC 61952	IEC 62217 Tests on housing material				IEC 62217 Tests on the core material		IEC 61952	
		Interfaces and connections of end fittings	Assembled core load tests	Hardness test	Accelerated weathering test	Tracking and erosion test	Flammability test	Dye penetration test	Water diffusion test	Electrical type tests	Mechanical type tests
1	Housing materials	X	X ^{b)}	X	X	X	X				
2	Housing profile ^{a)}	X				X				X	
3	Core material	X	X					X	X		X
4	Core diameter	X	X					X	X		X
5	Core and end-fitting manufacturing process	X	X					X	X		X
6	Core and end-fitting assembly process	X	X								X
7	Housing manufacturing process	X	X ^{b)}	X	X	X	X				X ^{b)}
8	Housing assembly process	X	X ^{b)}			X					X ^{b)}
9	End fitting material	X	X								X
10	End fitting connection zone design	X	X								X
11	Base end fitting coupling design		X								X ^{b)}
12	Core/housing/end fitting interface design	X	X ^{b)}			X					X ^{b)}
<p>a) Variations of the profile within following tolerances do not constitute a change: Overhang: ± 10 % Diameter: $\begin{matrix} +15 \\ 0 \end{matrix}$ % Thickness at base and tip: ± 15 % Spacing: ± 15 % Mean shed inclination: ± 3° Shed repetition: Identical</p> <p>b) Not necessary if it can be demonstrated that the change has no influence on the assembled core strength.</p>											

10 Design tests

10.1 General

These tests consist of the tests prescribed in IEC 62217, as listed in Table 2 below, and a specific assembled core load-time test. The design tests are performed only once and the results are recorded in a test report. Each part can be performed independently on new test specimens, where appropriate. The composite line post insulator of a particular design will be qualified only when all insulators or test specimens pass the design tests.

Table 2 – Design tests

Tests on interfaces and connections of end fittings
Pre-stressing – Thermal-mechanical pre-stressing (see 10.2.1 and 10.3 below)
Water immersion pre-stressing
Verification tests
Visual examination
Steep-front impulse voltage test
Dry power frequency voltage test
Tests on shed and housing material
Hardness test
Accelerated weathering test
Tracking and erosion test – see 10.2.2 below for specimens
Flammability test
Tests on the core material – see 10.2.3 below for specimens
Dye penetration test
Water diffusion test
Assembled core load tests
Verification of the maximum design cantilever load (MDCL)
Tensile load test

10.2 Test specimens for IEC 62217

10.2.1 Tests on interfaces and connections of end fittings

Three insulators assembled on the production line shall be tested. The insulation length (metal to metal spacing) shall be at least 15 times the core diameter. Both end fittings shall be the same as on standard production insulators. The end fittings shall be assembled so that the insulating part from the fitting to the closest shed shall be identical to that of the production line insulator. If spacers, joining rings or other features are used in the insulator design (notably for longer insulators), the samples for this test shall include any such devices in a typical position.

If the manufacturer only has facilities to produce insulators shorter than 15 times the core diameter, the design tests may be performed on insulators of those lengths available to him, but the results are only valid for up to the lengths tested.

10.2.2 Tracking and erosion test

If spacers, joining rings or other features are used in the insulator design (notably for longer insulators), the samples for this test shall include any such devices in a typical position.

IEC 62217 specifies that the creepage distance of the sample shall be between 500 mm and 800 mm. If the inclusion of spacers or joints, as mentioned above, requires a longer creepage distance, the design tests may be performed on insulators of lengths as close to 800 mm as possible. If the manufacturer only has facilities to produce insulators with creepage shorter than 500 mm, the design tests may be performed on insulators of those lengths he has available, but the results are only valid for up to the tested lengths.

10.2.3 Tests on core material

The specimens shall be as specified in IEC 62217. However if the housing material is not bonded to the core, then it shall be removed and the remaining core thoroughly cleaned to remove any traces of sealing material before cutting and testing.

10.3 Product specific pre-stressing for IEC 62217 tests on interfaces and connections of end fittings

The pre-stressing shall be carried out on the three specimens as indicated below.

10.3.1 Thermal-mechanical pre-stressing

The three specimens shall be submitted to a mechanical load in two opposite directions and to temperature cycles as described in Figure 1. The 24 h temperature cycle shall be performed twice. Each 24 h temperature cycle has two temperature levels with a duration of at least 8 h, one at $(+50 \pm 5) ^\circ\text{C}$, the other at $(-35 \pm 5) ^\circ\text{C}$. The cold period shall be at a temperature at least 85 K below the value actually applied in the hot period. The pre-stressing can be conducted in air or any other suitable medium.

The load applied to the specimens shall correspond to the MDCL.

The load shall be applied to the insulator at the conductor position. The initial direction shall be appropriate for the end fittings, and approximately perpendicular to the axis of the insulator at the point of application

When the load is not applied at the normal application point, it shall be corrected to produce the same bending moment at the base of the insulator as the one exerted by the MDCL.

The direction of the cantilever load applied to the specimens shall be reversed once, generally at the cooling passage through ambient temperature as described in Figure 1.

NOTE The temperatures and loads in this pre-stressing are not intended to represent service conditions, they are designed to produce specific reproducible stresses in the interfaces on the insulator.

The cycles may be interrupted for the load direction reversal and for maintenance of the test equipment for a total duration of 2 h. The starting point after any interruption shall be the beginning of the interrupted cycle.

10.4 Assembled core load tests

10.4.1 Test for the verification of the maximum design cantilever load (MDCL)

10.4.1.1 Test specimens

Three insulators made on the production line using standard end fittings shall be selected. The overall length of the insulators shall be between 15 and 18 times the diameter of the core, unless the manufacturer does not have facilities to make such a length. In this case, the length of insulator shall be as near as possible to the prescribed length range.

If not already routine tested, the insulators shall be examined visually and their conformity with the drawing shall be checked. They shall then be subjected to the tensile load routine test according to 13.1.

10.4.1.2 Test procedure

The insulator shall be gradually loaded to 1,1 times the MDCL at a temperature of $(20 \pm 10) ^\circ\text{C}$. This load shall be maintained for 96 h. The load shall be applied to the insulator at the

conductor position, in the direction appropriate for the end fittings, and initially perpendicular to the core of the insulator.

After removal of the load, the following steps shall be taken:

- visually inspect the base end fitting for cracks or permanent deformation;
- check that threads of the end fitting are re-usable.

Cut each insulator at 90° to the axis of the core and about 50 mm from the base end fitting, and then cut the base end fitting longitudinally into two halves in the plane of the previously applied cantilever load. The cut surfaces shall be smoothed by means of fine abrasive cloth (grain size 180).

- Visually inspect the cut halves for cracks and delamination.
- Perform a dye penetration test according to ISO 3452 to the cut surfaces to reveal cracks.

10.4.1.3 Acceptance criteria

Failure under the applied load, cracks or permanent deformation in the base end fitting, unusable threads, or the presence of cracks or delamination in the rod on any sample shall constitute failure.

10.4.2 Tensile load test

10.4.2.1 Test procedure

Three insulators made on the production line using the standard end fittings shall be selected.

If not already routine tested, the insulators shall be examined visually and their conformity with the drawing shall be checked. They shall then be subjected to the tensile load routine test according to 13.1.

The tensile load shall be applied in line with the axis of the core of the insulator, at or near the intended service attachment point. The load shall be increased rapidly but smoothly from zero to approximately 75 % of the STL and shall then be gradually increased in a time between 30 s and 90 s until the STL is reached. If the STL is reached in less than 90 s, the load shall be maintained for the remainder of the 90 s.

10.4.2.2 Acceptance criteria

The test shall be regarded as passed if there is no evidence of:

- pull-out of the core from the end fitting,
- breakage of the end fitting.

11 Type tests

An insulator type is **electrically** defined by the arcing distance, creepage distance, shed inclination, shed diameter and shed spacing.

The electrical type tests shall be performed only once on insulators satisfying the conditions above and shall be performed with arcing or field control devices (which are generally necessary on composite insulators at transmission voltages), if they are an integral part of the insulator type.

Furthermore, Table 1 outlines the insulator design characteristics that when changed, also require a repeat of the electrical type tests.

An insulator type is **mechanically** defined by the

- SCL,
- core material,
- core diameter,
- method of attachment of the end fittings,
- coupling zone of the base end fitting.

The mechanical type tests shall be performed only once on insulators satisfying the above criteria for each type.

Furthermore, Table 1 indicates additional insulator design characteristics that, when changed, require a repeat of the mechanical type tests.

If not already routine tested, the insulators shall be examined visually and their conformity with the drawing shall be checked using the tolerances given in Clause 8. They shall then be subjected to the mechanical routine test according to 13.1.

11.1 Electrical tests

The electrical tests in Table 3 shall be performed according to 11.1.1 or 11.1.2 (for insulators without line accessories) or according to IEC 60383-2 (for insulators with line accessories) to confirm the specified values. Interpolation of electrical test results may be used for insulators of intermediate length, provided that the factor between the arcing distances of the insulators whose results form the end points of the interpolation range is less than or equal to 1,5. Extrapolation is not allowed.

The electrical tests shall be performed with the insulator either vertical or horizontal, in the position nearest that in which it will be used in service.

Table 3 – Mounting arrangements for electrical tests

Test	Mounting arrangement
Dry lightning impulse withstand voltage test	Standard mounting arrangement of a line post insulator (11.1.1 or 11.1.2) or insulator set (IEC 60383-2) when switching impulse tests are not required
Wet power – frequency test	Standard mounting arrangement of a line post insulator (11.1.1 or 11.1.2) or insulator set (IEC 60383-2) when switching impulse tests are not required
Wet switching impulse withstand voltage test for insulators intended for systems with $U_m \geq 300$ kV	Standard mounting arrangement of a line post insulator set (IEC 60383-2) when switching impulse tests are required

11.1.1 Vertical mounting arrangement

The insulator shall be mounted according to IEC 60383-1.

11.1.2 Horizontal mounting arrangement

The insulator shall be mounted in a horizontal position on a vertical earthed metallic structure, typically made from a U-channel. This metallic structure shall have a width approximately equal to the diameter of the base of the insulator under test and shall have a height at least equal to twice the insulator length. The insulator shall be placed at least 1 m or 1,5 times the length of the insulator, whichever is the greater, above the ground. The insulator shall be mounted on the flat side of the U-channel.

If the insulator has an integral angled base it shall be mounted at that angle, rather than horizontally.

No other object shall be nearer to the insulator than 1 m or 1,5 times the length of the insulator, whichever is the greater.

A horizontal conductor not less than 13 mm diameter and extending in both directions at least twice the insulator length beyond the top shed shall be secured to the insulator. It shall be of such length that flashover will not be initiated at its ends.

If the insulator has a clamp, the conductor shall be placed in this clamp.

If the insulator does not have an integral clamp, a suitable clamp shall be used and shall be attached to the insulator by appropriate means.

If the insulator has a grooved head, the conductor shall be placed in the upper side groove. It shall be secured by means of a metallic wire of approximately 2,5 mm diameter wrapped around the conductor for a distance of approximately twice the diameter of the top shed and extending equally on each side of the insulator.

For wet tests, the insulator shall be placed so that its axis is approximately perpendicular to the direction of the rain.

11.2 Mechanical tests

Interpolation of mechanical test results may be used for insulators of intermediate length, provided that the factor between the moment arm of the insulators whose results form the end points of the interpolation range is less than or equal to 1,5. Extrapolation is not allowed.

11.2.1 Cantilever failing load test

This test shall be performed at $(20 \pm 10) ^\circ\text{C}$ and is used to determine the failing load of a complete line post insulator assembly, as shown on the manufacturer's drawing. Since composite insulators may exhibit large deflections, the apparatus used to apply the load shall have sufficient stroke to ensure failure of the insulator.

11.2.1.1 Test specimens

Three insulators made on the production line using the standard base fitting shall be selected.

11.2.1.2 Test procedure

It may be necessary to use special bolts or a special arrangement to securely hold the base plate to the test jig. The cantilever load shall be applied in the direction foreseen in service. The cantilever load shall be increased rapidly but smoothly from zero to approximately 75 % of SCL and then shall be gradually increased in a time between 30 s and 300 s until breakage of either the core or the end fitting occurs. Precautions shall be taken to keep the direction of application of the load as parallel as possible to initial direction. The cantilever failing load is the maximum load that is measured during the test.

The failure mode shall be recorded in the test report.

11.2.1.3 Acceptance criteria

The three failing load values shall be greater than the SCL.

12 Sample tests

12.1 General rules

For the sample tests, two groups of samples shall be used, E1 and E2. The sizes of these samples are indicated in Table 4 below. If more than 10 000 insulators are concerned, they shall be divided into an optimum number of lots comprising between 2 000 and 10 000 insulators. The results of the tests shall be evaluated separately for each lot.

The insulators shall be selected from the lot at random. The purchaser has the right to make the selection. The samples shall be subjected to the applicable sample tests.

The sample tests are as follows:

- verification of dimensions (E1 + E2)
- galvanizing test (E1 + E2)
- verification of the SCL (E1)

In the event of a failure of the sample to satisfy a test, the re-testing procedure shall be applied as prescribed in 11.5.

Only insulators of sample E2 may be used in service and that only if the galvanizing test is performed with the magnetic method.

Table 4 – Sample sizes according to lot size

Lot size (N)	Sample size	
	E1	E2
$N \leq 100$	By agreement	
$100 < N \leq 300$	2	1
$300 < N \leq 2\,000$	4	3
$2\,000 < N \leq 5\,000$	8	4
$5\,000 < N \leq 10\,000$	12	6

12.2 Verification of dimensions (E1 + E2)

The dimensions given in the drawings shall be verified. The tolerances given in the drawing are valid. If no tolerances are given in the drawings, those given in Clause 7 shall be used.

12.3 Galvanizing test (E1 + E2)

This test shall be performed on all galvanized parts in accordance with IEC 60383-1.

12.4 Verification of the SCL (E1)

12.4.1 Test procedure

The cantilever load shall be applied to the insulator at the conductor position, in the direction foreseen in service.

The load shall be increased rapidly but smoothly from zero to approximately 75 % of the SCL and then shall be gradually increased in a time between 30 s and 90 s until the SCL is reached. If the SCL is reached in less than 90 s, the load shall be maintained for the

remainder of the 90 s. For test objects exhibiting large deflections it may not be possible to reach the SCL within 90 s; if this occurs then the time shall be noted in the test report.

Precautions shall be taken to keep the direction of application of the load as parallel as possible to initial direction.

In order to obtain more information from the test, the load may then be increased until failure of the core or breakage of the end fitting occurs. The failing load values and the failure modes shall be recorded.

12.4.2 Acceptance criteria

The insulator shall be regarded as passed if the SCL can be maintained for the required time.

12.5 Re-testing procedure

If only one insulator or end fitting fails to comply with the sampling tests, re-testing shall be performed using a new sample size equal to twice the quantity originally submitted to the tests.

The re-testing shall comprise the test in which failure occurred.

If two or more insulators or fittings fail to comply with any of the sample tests, or if any failure occurs during the re-testing, the complete lot shall be considered as not complying with this standard and shall be withdrawn by the manufacturer.

Provided the cause of the failure can be clearly identified, the manufacturer may sort the lot to eliminate all the insulators with this defect. The sorted lot may then be resubmitted for testing. The number then selected shall be three times the first quantity chosen for tests. If any insulator fails during this re-testing, the complete lot shall be considered as not complying with this standard and shall be withdrawn by the manufacturer.

13 Routine tests

13.1 Tensile load test

Every insulator shall be subjected, at ambient temperature, to a tensile load equal to or greater than either 50 % of STL or 5 kN, whichever is the greater, for at least 10 s. The tensile load shall be applied between the normal attachment points.

No partial or complete pull-out of the core from the end fitting shall occur. Nor shall deformation or cracking of the end fittings occur.

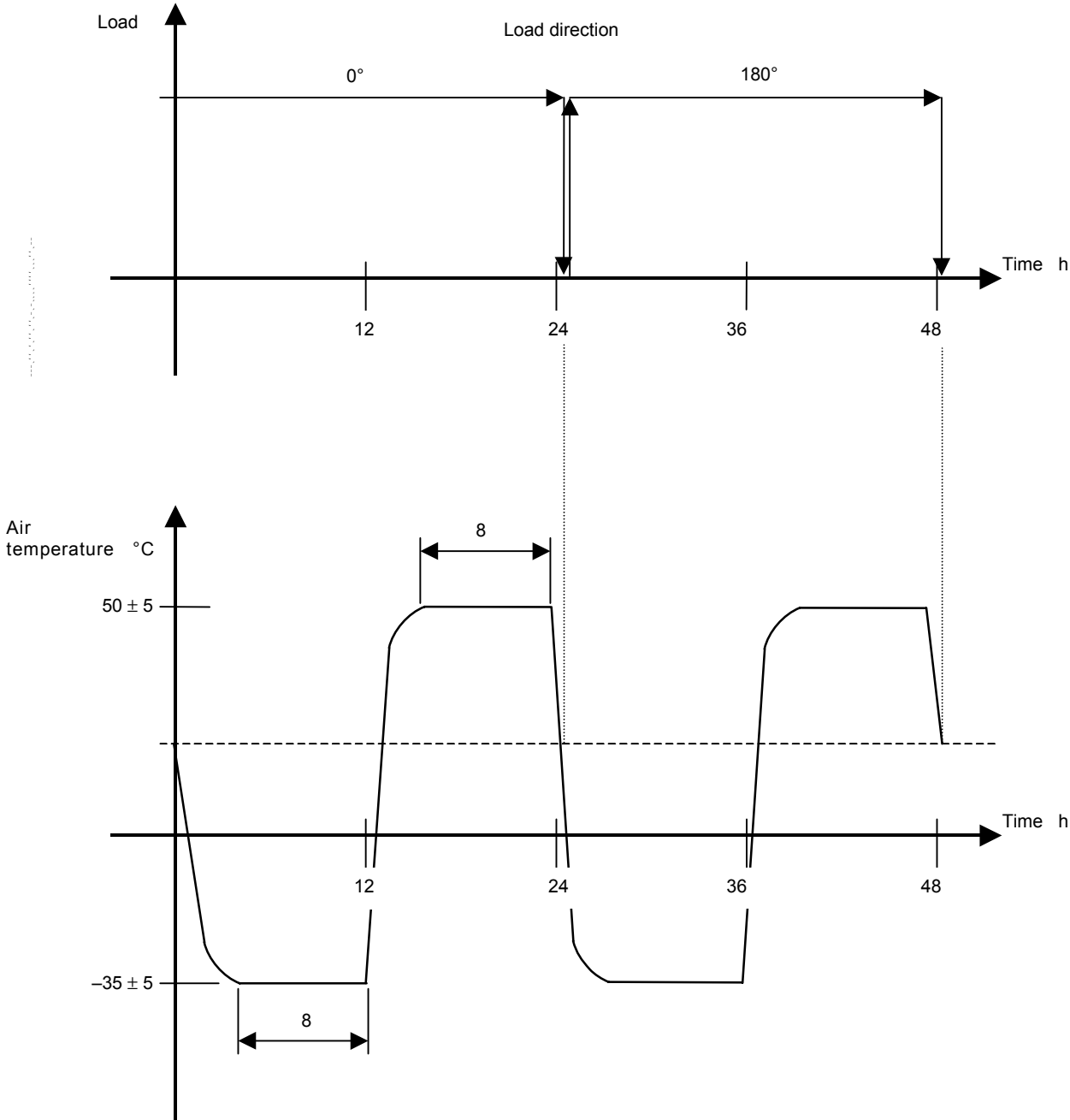
13.2 Visual examination

Each insulator shall be examined. The mounting of the end fittings on the insulating parts shall be in accordance with the drawings. The colour of the insulator shall be approximately as specified in the drawings. The markings shall be in conformance with the requirements of this standard (see Clause 5).

The following defects are not permitted:

- superficial defects of an area greater than 25 mm² (the total defective area not to exceed 0,2 % of the total insulator surface) or of depth greater than 1 mm;
- crack at the root of the sheds, notably next to the metal fittings;
- separation or lack of bonding at the housing to metal fitting joint (if applicable);
- separation or bonding defects at the shed to sheath interface,

- moulding flashes protruding more than 1 mm above the housing surface.



IEC 743/08

Figure 1 – Thermal-mechanical pre-stressing test – Typical cycles

Annex A (informative)

Notes on the mechanical loads and tests

This annex presents some comments on the various mechanical tests of this specification.

A.1 Design tests

For a family of line post insulators, the maximum design bending stress or moment (generally expressed in megapascals or newton metres respectively) limits the cantilever loads. The core and the end fittings define a line post insulator family as each family may contain insulators of different length.

The maximum design bending stress (resulting from a test to verify MDCL) is the maximum useable bending stress of the insulator. For each family of line post insulators, a 96 h cantilever load test verifies that the core can sustain the maximum design bending stress without damage. This test, as a design test, needs to be performed only once on a representative length insulator for each insulator family.

In addition, a tensile load test is required to verify the design of the end fittings together with the method of attachment.

A.2 Type tests

The core diameter, insulator coupling length and method of attachment of the end fittings mechanically define a line post insulator type. A maximum design cantilever load (MDCL), in kilonewtons, is assigned to each line post insulator type, usually by interpolation from the design MDCL verification test. For each line post insulator type, the assigned MDCL is the ultimate limit for service loads. A test to verify the MDCL for each line post insulator type is not included in this standard, as such a type test would be uneconomic and time consuming.

The cantilever failing load is determined by a short time failing load test. This standard requires that the cantilever failing load shall exceed the specified cantilever load, which is the short time withstand strength of the insulator. The cantilever failing load test verifies that the rod or base end fitting does not fail at the specified cantilever load, though damage to the core may occur.

A.3 Sample test

A short time cantilever load test has been included as a sample test to verify the specified cantilever load (SCL). This test is performed on production insulators complete with production end fittings. It is simple and relatively quick to perform.

A.4 Routine tensile test

A routine tensile test is specified instead of a routine bending test. This test provides some verification of the end fitting attachment process during production and is similar to the routine tensile test performed on composite suspension insulators. This test is used since, unlike porcelain, composite line post insulators are not made with brittle materials, and consequently a routine bending test at any level below the MDCL would not give any useful information.

By contrast with suspension insulators, this test may be more difficult to perform with some designs of end fittings and mounting bases. This difficulty arises since some designs of end fittings impose an unbalanced tensile load on the insulator. Care should be taken to ensure that the resulting load is applied in line with the axis of the insulator.

Annex B (informative)

Determination of the equivalent bending moment caused by combined loads

B.1 General

Line post insulators are rated according to their maximum design cantilever load MDCL. In service the cantilever load on a horizontal insulator may be the load resulting from the combination of a vertical load and a longitudinal load. In addition to this cantilever load an axial (compression or tension) load may also be present. The bending moment corresponding to the combination of these loads must not exceed the moment which corresponds to the MDCL.

Line post insulators are also often used with a tension brace in order to be able to support higher vertical loads. The line post insulator in this structure is usually angled upwards by a few degrees. In this case a vertical load creates compressive stresses in the line post insulator.

The following clauses give information on calculating the approximate equivalent bending moment when line post insulators are submitted to combined loads, either alone or when part of a braced structure.

The following notation is used:

C, T, V, L	applied compressive, tensile, vertical, longitudinal load, in newtons
P_p	resulting compressive load in the line post
P_b	resulting tensile load in the brace
M_C	resulting moment in the post under compression
M_T	resulting moment in the post under tension
d	distance from the point of application of the load to the top edge of the base fitting, in metres
E	longitudinal Young's modulus (Pa) or (N m ⁻²)
I	moment of inertia of the rod, in metres, to the fourth power (for a solid round rod of diameter D : $I = \pi D^4/64$).

NOTE The values for Young's modulus and for the moment of inertia (or the real diameter) should be supplied by the manufacturer.

B.2 Maximum allowable bending moment, M_{\max}

The maximum design cantilever load of a composite line post insulator induces the maximum allowable bending moment $M_{\max} = \text{MDCL} \times d$. The maximum stress associated with this bending moment must not produce any damage to the insulator core.

The maximum combined stress is the maximum stress resulting from the simultaneously applied cantilever and compression (or tension) loads. In service the various combinations of loads must not produce a bending moment that is greater than the bending moment induced by the MDCL.

B.3 Combined loading of line post insulators without a brace

The following formulae allow determination of the moment in the insulator when submitted to single or combined loads. It should be noted that the accuracy of these formulae depends on the deflection. The more the moment approaches the MDCL, the less accurate they become.

It should also be noted that the applied loads can result in damaging stress levels in the end fittings or accessories even when the moment in the insulator is at an acceptable level.

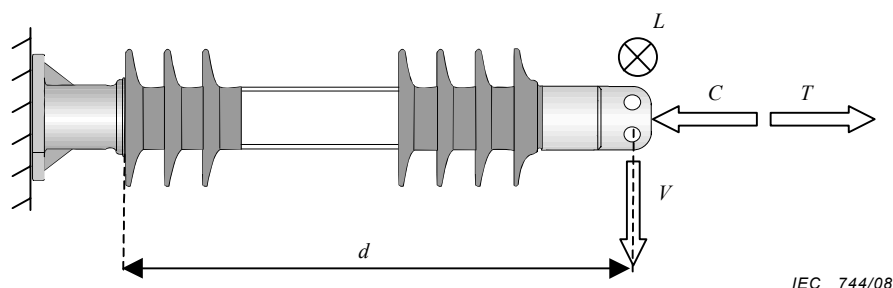


Figure B.1 – Combined loads applied to unbraced insulators

Horizontal insulators

In service, the insulator may be subjected to a combination of a vertical load (V), a longitudinal load (L) and a compression (C) or a tension (T) load. The vertical load is usually the main load and sometimes the only load.

A – Compression case

The sum of the vertical (V) and longitudinal (L) components of the loads applies a cantilever load to the insulator; the compression load (C) is taken as being applied to the head of the insulator toward its base. The moment resulting from the application of these three forces is given by:

$$M_C = [(V^2 + L^2)EI / C]^{1/2} \tan [d (C / EI)^{1/2}]$$

In service: M_C should not exceed M_{\max} .

B – Tension case

The sum of the vertical (V) and longitudinal (L) components of the loads applies a cantilever load to the insulator; the tension load (T) is taken as being applied to the head of the insulator away from its base. The moment resulting from the application of these three forces is given by:

$$M_T = [(V^2 + L^2)EI / T]^{1/2} \tanh [d (T / EI)^{1/2}]$$

In service: M_T should not exceed M_{\max} .

Vertical insulators

The above formula for the compression case may be applied to vertical insulators. Care should then be taken to use the proper load values: the vertical load is now the compression

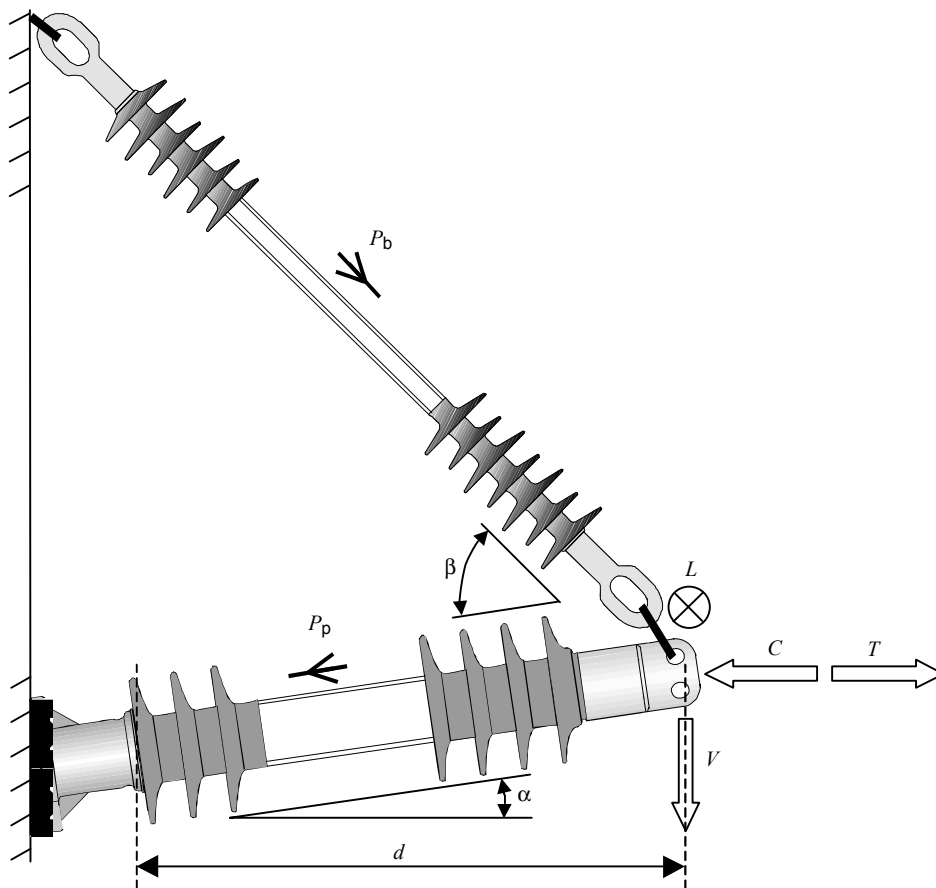
load C ; V and L loads are the loads applied to the insulator perpendicular to the insulator axis.

B.4 Combined loading of line post insulators with a brace

The moment induced in braced line post insulators can be determined by formulae only for very low loads or displacements. Since such low loads are of little use in determining the moment at working or ultimate loads, they are voluntarily not reproduced here in order to avoid any risk of error in designing braced insulating structures.

CIGRE has published information [2] on the application of finite element calculations with large displacements for the design and load determination of braced line post insulating structures.

Figure B.2 is intended to give a common reference when defining or specifying combined loads on braced line post insulators.



Key

P_p resultant compressive load in the line post insulator

P_b resultant tensile load in the brace insulator

IEC 745/08

Figure B.2 – Combined loads applied to braced insulators

Bibliography

- [1] CIGRE 22.03, *Electra* 169,1996 – *Cantilever load performance of composite line post insulators*
 - [2] CIGRE 22.03, *Electra* 203,2002 – *Guide for the evaluation of composite line post insulators subjected to combined mechanical loads*
 - [3] IEC 60507: *Artificial pollution tests on high-voltage insulators to be used on a.c. systems*
 - [4] IEC 61467: *Insulators for overhead lines with a nominal voltage above 1 000 V – AC Power arc tests*
 - [5] IEC 61462: *Composite insulators – Hollow insulators for use in outdoor and indoor electrical equipment – Definitions, test methods, acceptance criteria and design recommendations*
 - [6] IEC Guide 111: *Electrical high-voltage equipment in high-voltage substations - Common recommendations for product standards*
 - [7] IEC 60050(471):2006, *International Electrotechnical Vocabulary (IEV) – Part 471: Insulators*
 - [8] CIGRE 22.03: Technical Brochure 184, 2001– *Composite Insulator Handling Guide*
-

SOMMAIRE

AVANT-PROPOS.....	30
INTRODUCTION.....	32
1 Domaine d'application	34
2 Références normatives.....	34
3 Termes et définitions	34
4 Abréviations	36
5 Identification.....	36
6 Conditions d'environnement	37
7 Transport, stockage et installation	37
8 Tolérances	37
9 Classification des essais	37
9.1 Essais de conception	37
9.2 Essais de type.....	38
9.3 Essais sur prélèvements	38
9.4 Essais individuels.....	38
10 Essais de conception.....	39
10.1 Généralités.....	39
10.2 Echantillons d'essai pour la CEI 62217.....	40
10.2.1 Essais des interfaces et des connexions des armatures d'extrémité	40
10.2.2 Essai de cheminement et d'érosion	40
10.2.3 Essais sur le matériau du noyau	41
10.3 Précontraintes spécifiques des produits pour les essais selon la CEI 62217 sur les interfaces et les connexions des armatures d'extrémité.....	41
10.3.1 Précontrainte thermomécanique	41
10.4 Essais de charge du noyau assemblé.....	41
10.4.1 Essai de vérification de la charge de flexion maximale de conception (CFMC)	41
10.4.2 Essai de charge de traction	42
11 Essais de type.....	42
11.1 Essais électriques	43
11.1.1 Dispositifs de montage vertical	44
11.1.2 Dispositifs de montage horizontal	44
11.2 Essais mécaniques.....	44
11.2.1 Essai de rupture mécanique en flexion	44
12 Essais sur prélèvements.....	45
12.1 Règles générales	45
12.2 Vérification des dimensions (E1 + E2).....	46
12.3 Essai de galvanisation (E1 + E2).....	46
12.4 Vérification de la CFS (E1).....	46
12.4.1 Procédure d'essai.....	46
12.4.2 Critères d'acceptation.....	46
12.5 Procédure de contre-épreuve	46
13 Essais individuels	47
13.1 Essai de traction	47
13.2 Examen visuel.....	47

Annexe A (informative) Notes sur les charges et les essais mécaniques.....	49
Annexe B (informative) Détermination du moment de flexion équivalent résultant de charges combinées.....	51
Bibliographie.....	54
Figure 1 – Précontrainte thermomécanique – Cycles typiques	48
Figure B.1 – Charges combinées appliquées aux isolateurs sans hauban.....	52
Figure B.2 – Charges combinées appliquées aux isolateurs haubanés.....	53
Tableau 1 – Essais à effectuer après des changements de conception	39
Tableau 2 – Essais de conception.....	40
Tableau 3 – Dispositifs de montage pour essais électriques	43
Tableau 4 – Tailles des échantillons selon la taille du lot	45

COMMISSION ÉLECTROTECHNIQUE INTERNATIONALE

ISOLATEURS POUR LIGNES AÉRIENNES – ISOLATEURS COMPOSITES RIGIDES À SOCLE POUR SYSTÈMES À COURANT ALTERNATIF DE TENSION NOMINALE SUPÉRIEURE À 1 000 V – DÉFINITIONS, MÉTHODES D'ESSAI ET CRITÈRES D'ACCEPTATION

AVANT-PROPOS

- 1) La Commission Electrotechnique Internationale (CEI) est une organisation mondiale de normalisation composée de l'ensemble des comités électrotechniques nationaux (Comités nationaux de la CEI). La CEI a pour objet de favoriser la coopération internationale pour toutes les questions de normalisation dans les domaines de l'électricité et de l'électronique. A cet effet, la CEI – entre autres activités – publie des Normes internationales, des Spécifications techniques, des Rapports techniques, des Spécifications accessibles au public (PAS) et des Guides (ci-après dénommés "Publication(s) de la CEI"). Leur élaboration est confiée à des comités d'études, aux travaux desquels tout Comité national intéressé par le sujet traité peut participer. Les organisations internationales, gouvernementales et non gouvernementales, en liaison avec la CEI, participent également aux travaux. La CEI collabore étroitement avec l'Organisation Internationale de Normalisation (ISO), selon des conditions fixées par accord entre les deux organisations.
- 2) Les décisions ou accords officiels de la CEI concernant les questions techniques représentent, dans la mesure du possible, un accord international sur les sujets étudiés, étant donné que les Comités nationaux de la CEI intéressés sont représentés dans chaque comité d'études.
- 3) Les Publications de la CEI se présentent sous la forme de recommandations internationales et sont agréées comme telles par les Comités nationaux de la CEI. Tous les efforts raisonnables sont entrepris afin que la CEI s'assure de l'exactitude du contenu technique de ses publications; la CEI ne peut pas être tenue responsable de l'éventuelle mauvaise utilisation ou interprétation qui en est faite par un quelconque utilisateur final.
- 4) Dans le but d'encourager l'uniformité internationale, les Comités nationaux de la CEI s'engagent, dans toute la mesure possible, à appliquer de façon transparente les Publications de la CEI dans leurs publications nationales et régionales. Toutes divergences entre toutes Publications de la CEI et toutes publications nationales ou régionales correspondantes doivent être indiquées en termes clairs dans ces dernières.
- 5) La CEI n'a prévu aucune procédure de marquage valant indication d'approbation et n'engage pas sa responsabilité pour les équipements déclarés conformes à une de ses Publications.
- 6) Tous les utilisateurs doivent s'assurer qu'ils sont en possession de la dernière édition de cette publication.
- 7) Aucune responsabilité ne doit être imputée à la CEI, à ses administrateurs, employés, auxiliaires ou mandataires, y compris ses experts particuliers et les membres de ses comités d'études et des Comités nationaux de la CEI, pour tout préjudice causé en cas de dommages corporels et matériels, ou de tout autre dommage de quelque nature que ce soit, directe ou indirecte, ou pour supporter les coûts (y compris les frais de justice) et les dépenses découlant de la publication ou de l'utilisation de cette Publication de la CEI ou de toute autre Publication de la CEI, ou au crédit qui lui est accordé.
- 8) L'attention est attirée sur les références normatives citées dans cette publication. L'utilisation de publications référencées est obligatoire pour une application correcte de la présente publication.
- 9) L'attention est attirée sur le fait que certains des éléments de la présente Publication de la CEI peuvent faire l'objet de droits de propriété intellectuelle ou de droits analogues. La CEI ne saurait être tenue pour responsable de ne pas avoir identifié de tels droits de propriété et de ne pas avoir signalé leur existence.

La Norme internationale CEI 61952 a été établie par sous-comité 36B: Isolateurs pour lignes aériennes, du comité d'études 36 de la CEI: Isolateurs.

Cette deuxième édition annule et remplace la première édition parue en 2002. Cette édition constitue une révision technique.

Cette édition inclut les modifications techniques majeures suivantes par rapport à l'édition précédente:

- suppression des procédures d'essai qui sont maintenant données dans la CEI 62217,
- ajout d'articles concernant les tolérances, les conditions environnementales, le transport, le stockage et l'installation,
- modification des paramètres déterminant la nécessité de répéter les essais de conception et de type,

- clarification des méthodes de montage pour les essais de type électriques,
- modification des exigences d'application des charges dans les essais de flexion pour faciliter les essais,
- ajout d'exigences pour l'examen visuel,
- suppression de l'annexe d'explication du principe des classes pour les essais de conception.

Le texte de cette norme est issu des documents suivants:

FDIS	Rapport de vote
36B/273/FDIS	36B/275/RVD

Le rapport de vote indiqué dans le tableau ci-dessus donne toute information sur le vote ayant abouti à l'approbation de cette norme.

Cette publication a été rédigée selon les Directives ISO/CEI, Partie 2.

Le comité a décidé que le contenu de cette publication ne sera pas modifié avant la date de maintenance indiquée sur le site web de la CEI sous "<http://webstore.iec.ch>" dans les données relatives à la publication recherchée. A cette date, la publication sera

- reconduite;
- supprimée;
- remplacée par une édition révisée, ou
- amendée.

INTRODUCTION

Les isolateurs composites rigides à socle sont constitués d'un noyau isolant cylindrique plein supportant la charge mécanique, protégé par un revêtement en élastomère, les charges étant transmises au noyau par des armatures métalliques. Malgré ces caractéristiques communes, les matériaux et les méthodes de construction utilisés par différents fabricants peuvent varier.

Certains essais ont été regroupés sous le terme d'«essais de conception», à n'effectuer qu'une seule fois pour les isolateurs de même conception. Tous les essais de conception définis dans la CEI 62217 sont appliqués aux isolateurs composites rigides à socle; des essais mécaniques spécifiques complémentaires sont indiqués dans la présente norme. Autant que possible, l'influence du temps sur les propriétés électriques et mécaniques de l'isolateur composite rigide à socle et de ses composants (matériau du noyau, matériau du revêtement, interfaces, etc.) a été prise en considération dans la spécification des essais de conception, de façon à assurer une durée de vie satisfaisante dans des conditions de service normales.

Les isolateurs composites sont utilisés pour des applications en courant alternatif et continu. Malgré cela, un essai de cheminement et d'érosion spécifique aux applications en courant continu n'a pas encore été défini et adopté. L'essai 1 000 h de cheminement et d'érosion en courant alternatif de la CEI 62217 est utilisé pour établir une exigence minimale pour la résistance du revêtement au cheminement.

Pour les essais mécaniques sous charges de flexion, l'approche utilisée dans cette norme est basée sur les travaux de la CIGRE [1]¹. Cette approche utilise le concept de limite d'endommagement, qui est la contrainte maximale susceptible de se développer dans l'isolateur avant que des dommages ne se manifestent. L'Annexe A fournit quelques indications sur les charges et les essais mécaniques utilisés dans cette norme.

Les isolateurs composites rigides à socle sont souvent utilisés dans des structures à hauban dont la géométrie varie d'une ligne à l'autre. Un essai de charge combiné visant à reproduire les cas de charges complexes dans ces structures ne rentre pas dans le cadre de cette norme et il serait très difficile de spécifier un essai général couvrant la majorité des cas de géométrie et de répartition des charges. Pour donner quelques indications, l'Annexe B explique comment calculer le moment résultant de charges combinées dans les isolateurs. Ce moment peut alors être assimilé à une charge ou à une contrainte de flexion équivalente à des fins de conception. Des informations complémentaires sont disponibles par la CIGRE [2].

Les essais mécaniques de compression ne sont pas spécifiés dans cette norme. Les efforts mécaniques produits par les contraintes de service sur les isolateurs rigides à socle sont principalement des efforts combinés. Ces efforts provoqueront un fléchissement des isolateurs. L'application de charges de compression sur des isolateurs pré-fléchis conduira à des résultats dépendant en très grande partie de la pré-flexion. Par conséquent, un essai de compression pure est peu significatif puisque le fléchissement avant compression ne peut être spécifié.

Les essais sous pollution, tels que spécifiés dans la CEI 60507 [3], ne sont pas inclus dans cette norme, leur applicabilité aux isolateurs composites rigides à socle n'ayant pas été prouvée. Ces essais sous pollution effectués sur des isolateurs en matériaux non céramiques ne sont pas corrélés avec l'expérience en service. Des essais de pollution spécifiques pour les isolateurs non céramiques sont à l'étude.

¹ Les chiffres entre crochets renvoient à la bibliographie.

Il n'a pas été jugé utile de spécifier un essai d'arc de puissance parmi les essais obligatoires. Les paramètres de l'essai sont nombreux et peuvent avoir des valeurs très différentes selon les configurations du réseau et les supports et selon la conception des dispositifs de protection contre les arcs. Il y a lieu que l'effet de la chaleur des arcs de puissance soit pris en considération dans la conception des armatures métalliques. Les dommages critiques subis par les armatures métalliques et dus à l'amplitude et à la durée du courant de court-circuit, peuvent être évités en concevant des dispositifs de protection appropriés contre les arcs.

Cette norme n'exclut cependant pas la possibilité d'un essai d'arc de puissance, après accord entre l'utilisateur et le fabricant. La CEI 61467 [4] fournit des détails sur les essais d'arc de puissance en courant alternatif des chaînes d'isolateurs équipées.

Les essais de perturbations radioélectriques et d'effet couronne ne sont pas spécifiés dans cette norme car les performances en perturbations radioélectriques et effet couronne ne sont pas des caractéristiques de l'isolateur seul.

Les isolateurs composites creux à socle destinés aux lignes aériennes ne sont actuellement pas traités dans cette norme. La CEI 61462 [5] fournit des indications d'essais sur les isolateurs composites creux, dont beaucoup sont applicables à de tels isolateurs de ligne.

Les charges de torsion ne sont pas abordées dans cette norme car elles sont généralement négligeables dans la configuration où sont habituellement utilisés les isolateurs rigides à socle. Les applications spécifiques, où des charges de torsion élevées peuvent être appliquées, sont en dehors du domaine d'application de cette norme.

L'application de cette norme aux isolateurs hybrides rigides à socle (c'est-à-dire ceux dont le noyau est réalisé dans un matériau autre que des fibres imprégnés de résine) n'a pas été étudiée à fond. Par exemple, en général, les essais mécaniques de charge-temps et les essais des matériaux du noyau ne sont pas applicables aux noyaux en porcelaine. Il est donc recommandé que cette norme soit considérée comme provisionnelle pour des isolateurs hybrides rigides à socle, en prenant, après accord, une sélection d'essais à effectuer d'après cette norme et d'après la CEI 60383-1.

Le Guide 111 [6] de la CEI a été suivi autant que possible pour élaborer la présente norme.

ISOLATEURS POUR LIGNES AÉRIENNES – ISOLATEURS COMPOSITES RIGIDES À SOCLE POUR SYSTÈMES À COURANT ALTERNATIF DE TENSION NOMINALE SUPÉRIEURE À 1 000 V – DÉFINITIONS, MÉTHODES D'ESSAI ET CRITÈRES D'ACCEPTATION

1 Domaine d'application

La présente Norme internationale est applicable aux isolateurs composites rigides à socle constitués d'un noyau isolant cylindrique supportant la charge, constitué de fibres – habituellement en verre – dans une matrice à base de résine, d'un revêtement (extérieur au noyau isolant) en matériau élastomère (par exemple silicone ou éthylène-propylène) et d'armatures d'extrémité reliées de façon permanente au noyau isolant.

Lorsqu'ils supportent les conducteurs de ligne, les isolateurs composites rigides à socle couverts par cette norme sont soumis à des charges de flexion, de traction et de compression. Ils sont prévus pour être utilisés sur des lignes aériennes à courant alternatif de tension nominale supérieure à 1 000 V et de fréquence ne dépassant pas 100 Hz.

La présente norme a pour objet:

- de définir les termes employés,
- de fixer les méthodes d'essai,
- de fixer les critères d'acceptation ou de rejet d'une fourniture.

Cette norme n'inclut pas d'exigences relatives au choix des isolateurs pour des conditions de service spécifiques.

2 Références normatives

Les documents de référence suivants sont indispensables pour l'application du présent document. Pour les références datées, seule l'édition citée s'applique. Pour les références non datées, la dernière édition du document de référence s'applique (y compris les éventuels amendements).

CEI 60383-1, *Isolateurs pour lignes aériennes de tension nominale supérieure à 1 000 V – Partie 1: Éléments d'isolateurs en matière céramique ou en verre pour systèmes à courant alternatif – Définitions, méthodes d'essai et critères d'acceptation*

CEI 60383-2, *Isolateurs pour lignes aériennes de tension nominale supérieure à 1 000 V – Partie 2: Chaînes d'isolateurs et chaînes d'isolateurs équipées pour systèmes à courant alternatif – Définitions, méthodes d'essai et critères d'acceptation*

CEI 62217, *Polymeric insulators for indoor and outdoor use with a nominal voltage above 1 000 V – General definitions, test methods and acceptance criteria* (disponible en anglais seulement)

ISO 3452, *Essais non destructifs – Contrôle par ressuage – Principes généraux*

3 Termes et définitions

Pour les besoins du présent document, les termes et définitions suivants s'appliquent.

NOTE Certains termes de la CEI 62217 sont reproduits ici pour faciliter l'utilisation de la norme. D'autres définitions applicables aux isolateurs se trouvent dans la CEI 60050(471) [7].

3.1

isolateur composite rigide à socle

isolateur constitué d'un noyau solide isolant cylindrique supportant la charge, d'un revêtement et d'armatures d'extrémité reliées au noyau isolant. Il est destiné à être soumis à des charges en flexion, traction et compression

3.2

noyau d'un isolateur composite

partie isolante interne d'un isolateur composite, conçue pour assurer les caractéristiques mécaniques. Le noyau est généralement constitué soit de fibres (par exemple, verre) qui sont positionnées dans une matrice à base de résine, soit d'un matériau isolant homogène (par exemple, porcelaine ou résine)

[VEI 471-01-03, modifiée]

3.3

fût d'un isolateur polymérique

partie isolante centrale d'un isolateur située entre les ailettes

[VEI 471-01-11]

3.4

revêtement

partie isolante externe d'un isolateur composite, qui assure la ligne de fuite nécessaire et protège le noyau de l'environnement

NOTE Une gaine intermédiaire en matériau isolant peut faire partie du revêtement.

[VEI 471-01-09]

3.5

ailette (d'un isolateur)

partie isolante en saillie sur le fût d'un isolateur, destinée à augmenter la ligne de fuite. Une ailette peut être avec ou sans ondulations

[VEI 471-01-15]

3.6

interfaces

surface entre les différents matériaux. Diverses interfaces se présentent dans la plupart des isolateurs composites, par exemple:

- entre le revêtement et les armatures d'extrémité;
- entre les différentes parties du revêtement; par exemple, entre les ailettes, ou entre la gaine et les ailettes;
- entre le noyau et le revêtement

[CEI 62217, définition 3.10]

3.7

armature d'extrémité

composante intégrale ou partie moulée d'un isolateur, destinée à le fixer sur une structure portante, ou sur un conducteur, ou à un autre isolateur

NOTE Lorsque le dispositif de fixation est métallique, l'appellation «armature métallique» est normalement utilisée.

[VEI 471-01-06, modifié]

3.8

zone de connexion

zone dans laquelle la charge mécanique est transmise entre le corps isolant et l'armature d'extrémité

[CEI 62217, définition 3.12]

3.9

couplage

partie de l'armature d'extrémité qui transmet la charge aux accessoires externes à l'isolateur

[CEI 62217, définition 3.13 modifiée]

3.10

délaminage du noyau

perte d'adhérence irréversible entre les fibres laminées visible à l'œil nu

3.11

charge de rupture

charge maximale atteinte lorsque l'isolateur est essayé dans les conditions exigées

3.12

charge de flexion spécifiée

CFS

charge en flexion qui peut être supportée par l'isolateur lorsqu'il est essayé dans les conditions exigées. Cette valeur est spécifiée par le fabricant

3.13

charge de flexion maximale de conception

CFMC

niveau de charge au-delà duquel le noyau commence à être endommagé, et qui est la limite ultime des charges en service. La valeur et la direction de la charge sont spécifiées par le fabricant

3.14

charge de traction spécifiée

CTS

charge de traction qui peut être supportée par l'isolateur lorsqu'il est essayé dans les conditions exigées. Cette valeur est spécifiée par le fabricant

4 Abréviations

Les abréviations suivantes sont utilisées dans cette norme:

E1, E2	Echantillons pour les essais sur prélèvements
CFMC	Charge de flexion maximale de conception
CFS	Charge de flexion spécifiée
CTS	Charge de traction spécifiée

5 Identification

Outre les exigences de la CEI 62217, chaque isolateur doit porter la valeur de la CFMC ou la désignation CEI appropriée.

Il est recommandé que chaque isolateur soit marqué ou étiqueté par le fabricant pour montrer qu'il a satisfait à l'essai mécanique de routine.

NOTE Actuellement, il n'existe pas de norme CEI donnant les désignations des isolateurs composites rigides à socle.

6 Conditions d'environnement

Les conditions normales d'environnement auxquelles sont soumis les isolateurs composites rigides à socle en service sont définies dans la CEI 62217.

7 Transport, stockage et installation

En supplément des exigences de la CEI 62217, des informations traitant de la manutention des isolateurs composites peuvent être trouvées dans la brochure technique CIGRE 184 [8]. Pendant l'installation, les isolateurs composites rigides à socle peuvent être soumis à de grandes charges de torsion, pour lesquelles ils ne sont pas conçus. En l'absence de guide spécifique de la part du fabricant, les charges de torsion conduisant à une contrainte dans le noyau supérieure à 15 MPa doivent être évitées.

8 Tolérances

Sauf accord contraire, une tolérance de

$\pm (0,04 \times d + 1,5)$ mm lorsque $d \leq 300$ mm,

$\pm (0,025 \times d + 6)$ mm lorsque $d > 300$ mm, avec une tolérance maximale de ± 50 mm,

doit être autorisée sur toutes les dimensions pour lesquelles des tolérances spécifiques ne sont pas demandées ou définies sur le plan de l'isolateur (d étant la dimension en millimètres).

La mesure des lignes de fuite doit être liée aux dimensions et aux tolérances de conception déterminées à partir du dessin de l'isolateur, même si cette dimension est supérieure à la valeur spécifiée à l'origine. Lorsqu'une ligne de fuite minimale est spécifiée, la tolérance négative est également limitée par cette valeur.

Dans le cas d'isolateurs avec une ligne de fuite dépassant 3 m, il est permis de mesurer une courte section d'environ 1 m de long de l'isolateur et d'extrapoler.

9 Classification des essais

9.1 Essais de conception

Ces essais ont pour but de vérifier que la conception, les matériaux et la méthode de fabrication (technologie) sont appropriés. La conception d'un isolateur composite rigide à socle est définie par les éléments suivants:

- les matériaux du noyau, du revêtement et leur méthode de fabrication,
- le matériau, la conception et la méthode de fixation des armatures d'extrémité (à l'exclusion du couplage),
- l'épaisseur du revêtement recouvrant le noyau (y compris la gaine le cas échéant),
- le diamètre du noyau.

En cas de modifications dans la conception, la requalification doit être effectuée conformément au Tableau 1.

Lorsqu'un isolateur composite rigide à socle est soumis aux essais de conception, il devient un isolateur représentatif d'une classe de conception et les résultats sont valables pour toute cette classe. L'isolateur représentatif essayé définit une classe de conception d'isolateurs ayant les caractéristiques suivantes:

- a) même matériaux pour le noyau et le revêtement et même méthode de fabrication;
- b) même matériau pour les armatures d'extrémité, même conception de la zone de connexion et même géométrie de l'interface entre revêtement et armatures;
- c) épaisseur minimale du revêtement sur le noyau égale ou supérieure (y compris la gaine intermédiaire le cas échéant);
- d) contrainte égale ou inférieure sous charges mécaniques;
- e) diamètre du noyau égal ou supérieur;
- f) paramètres équivalents du profil du revêtement, voir la note de bas de tableau ^{a)} du Tableau 1.

9.2 Essais de type

Ces essais ont pour but de vérifier les principales caractéristiques d'un isolateur composite rigide à socle, qui dépendent essentiellement de sa forme et de sa taille. Les essais de type doivent être effectués sur les isolateurs composites appartenant à une classe de conception déjà qualifiée. Les essais de type ne doivent être répétés que lorsque le type d'isolateur composite change (voir Article 11).

9.3 Essais sur prélèvements

Les essais sur prélèvements ont pour but de vérifier les autres caractéristiques des isolateurs composites rigides à socle, incluant celles qui dépendent de la qualité de la fabrication et des matériaux utilisés. Ces essais sont effectués sur des isolateurs prélevés au hasard dans des lots présentés pour réception.

9.4 Essais individuels

Ces essais ont pour but d'éliminer tout isolateur composite rigide à socle présentant des défauts de fabrication. Ces essais doivent être effectués sur chaque isolateur composite rigide à socle présenté pour réception.

Tableau 1 – Essais à effectuer après des changements de conception

SI la modification dans la conception de l'isolateur concerne: ...		ALORS les essais de conception suivants doivent être repris:									
		Essais de conception								Essais de type	
		CEI 62217	CEI 61952	CEI 62217 Essais sur le matériau de revêtement				CEI 62217 Essais sur le matériau du fût		CEI 61952	
		Interfaces et connexion des armatures d'extrémité	Essais de charge du noyau assemblé	Essai de dureté	Essais climatiques accélérés	Essai de cheminement et d'érosion	Essai d'inflammabilité	Essai de pénétration de colorant	Essai de pénétration d'eau	Essais de type électriques	Essais de type mécaniques
1	Matériaux de revêtement	X	X ^{b)}	X	X	X	X				
2	Profil du revêtement ^{a)}	X				X				X	
3	Matériau du noyau	X	X					X	X		X
4	Diamètre du noyau	X	X					X	X		X
5	Procédé de fabrication noyau et extrémités	X	X					X	X		X
6	Procédé d'assemblage noyau et extrémités	X	X								X
7	Procédé de fabrication du revêtement	X	X ^{b)}	X	X	X	X				X ^{b)}
8	Procédé d'assemblage du revêtement	X	X ^{b)}			X					X ^{b)}
9	Matériau des armatures d'extrémité	X	X								X
10	Conception de la zone de connexion des armatures d'extrémité	X	X								X
11	Conception du couplage du socle		X								X ^{b)}
12	Conception de l'interface noyau/revêtement/armature d'extrémité	X	X ^{b)}			X					X ^{b)}
<p>a) Des variations de profil selon les tolérances suivantes ne sont pas considérées comme un changement: Profondeur: $\pm 10\%$ Diamètre: $\begin{matrix} +15 \\ 0 \end{matrix} \%$ Epaisseur à la base et au sommet: $\pm 15\%$ Pas: $\pm 15\%$ Inclinaison moyenne des ailettes: $\pm 3^\circ$ Répétition des ailettes: Identique</p> <p>b) Pas nécessaire si l'on peut démontrer que le changement n'a pas d'influence sur la résistance mécanique du noyau assemblé.</p>											

10 Essais de conception

10.1 Généralités

Ces essais sont constitués d'essais indiqués dans la CEI 62217 comme indiqué au Tableau 2 ci-dessous et d'un essai charge-temps spécifique sur le noyau assemblé. Les essais de conception ne doivent être effectués qu'une seule fois et les résultats doivent être consignés dans un rapport d'essai. Chaque partie peut être effectuée indépendamment sur de nouveaux échantillons le cas échéant. L'isolateur composite rigide à socle d'une conception donnée ne doit être considéré comme accepté que lorsque tous les isolateurs ou échantillons d'essai ont satisfait tous les essais de conception.

Tableau 2 – Essais de conception

Essais sur les interfaces et les connexions des armatures d'extrémité
Précontrainte – Précontrainte thermomécanique (voir 10.2.1 et 10.3 ci-après)
Précontrainte d'immersion dans l'eau
Essais de vérification
Examen visuel
Essai sous onde de choc à front raide
Essai de fréquence industriel à sec
Essais du matériau d'ailette et de revêtement
Essai de dureté
Essai climatique accéléré
Essai de cheminement et d'érosion – voir 10.2.2 ci-après pour les échantillons
Essai d'inflammabilité
Essais sur le matériau de noyau – voir 10.2.3 ci-après pour les échantillons
Essai de pénétration de colorant
Essai de pénétration d'eau
Essais de charge du noyau assemblé
Vérification de la charge de flexion maximale de conception (CFMC)
Essai de charge de traction

10.2 Echantillons d'essai pour la CEI 62217

10.2.1 Essais des interfaces et des connexions des armatures d'extrémité

Trois isolateurs assemblés sur la ligne de production doivent être essayés. La distance d'isolement (intervalle métal-métal) doit être égale à au moins 15 fois le diamètre du noyau. Les deux armatures d'extrémité doivent être identiques à celles des isolateurs de production standard. Les armatures d'extrémité doivent être assemblées de telle sorte que la partie isolante entre l'armature et l'ailette la plus proche soit identique à l'isolateur de production. Si des centreurs, bagues de raccordement ou d'autres dispositifs sont présents dans la conception de l'isolateur (notamment pour des isolateurs plus longs), les échantillons pour cet essai doivent comporter de tels dispositifs à leur emplacement typique.

Si le fabricant n'est équipé que pour produire des isolateurs plus courts que 15 fois le diamètre du noyau, les essais de conception peuvent être effectués sur des isolateurs de la longueur disponible. Les résultats ne sont toutefois valables que jusqu'aux longueurs essayées.

10.2.2 Essai de cheminement et d'érosion

Si des centreurs, bagues de raccordement ou d'autres dispositifs sont présents dans la conception de l'isolateur (notamment pour des isolateurs plus longs), les échantillons pour cet essai doivent comporter de tels dispositifs à leur emplacement typique.

La CEI 62217 spécifie que la ligne de fuite de l'échantillon doit être comprise entre 500 mm et 800 mm. Si la présence de centreurs ou joints, comme mentionnés ci-dessus, nécessite une plus grande ligne de fuite, les essais de conception peuvent être effectués sur des isolateurs de longueur aussi près de 800 mm que possible. Si le fabricant ne peut produire que des isolateurs avec une ligne de fuite inférieure à 500 mm, les essais de conception peuvent être réalisés sur les isolateurs de la longueur disponible, mais les résultats ne sont toutefois valables que jusqu'aux longueurs essayées.

10.2.3 Essais sur le matériau du noyau

Les échantillons doivent être tels que spécifiés dans la CEI 62217. Cependant, si le matériau de revêtement n'est pas solidaire du noyau, il doit alors être enlevé et le noyau restant soigneusement nettoyé pour enlever toute trace de produit d'étanchéité avant d'être coupé et essayé.

10.3 Précontraintes spécifiques des produits pour les essais selon la CEI 62217 sur les interfaces et les connexions des armatures d'extrémité

Les précontraintes doivent être appliquées sur les trois échantillons comme indiqué ci-dessous.

10.3.1 Précontrainte thermomécanique

Les trois échantillons doivent être soumis à une charge mécanique dans deux directions opposées et à des cycles de température comme décrit à la Figure 1. Le cycle de température de 24 h doit être effectué deux fois. Chaque cycle de température comporte deux niveaux de température d'au moins 8 h, l'un à $(+50 \pm 5) ^\circ\text{C}$, l'autre à $(-35 \pm 5) ^\circ\text{C}$. La température à froid doit être à une température d'au moins 85 K en dessous de la valeur réellement appliquée dans la période à chaud. La précontrainte peut être réalisée dans l'air ou tout autre milieu adapté.

La charge appliquée aux échantillons doit correspondre à la CFMC.

La charge doit être appliquée à l'isolateur à la position du conducteur. Sa direction initiale doit être appropriée pour le type de ferrure d'extrémité et approximativement perpendiculaire à l'axe de l'isolateur au point d'attache.

Lorsque la charge n'est pas appliquée au point d'application normal, elle doit être corrigée de façon à obtenir à la base de l'isolateur le même moment de flexion que celui exercé par la CFMC.

La direction de la charge de flexion appliquée aux échantillons doit être inversée une fois, généralement lors du refroidissement à la température ambiante, conformément à la Figure 1.

NOTE Les températures et les charges de cette précontrainte ne sont pas destinées à représenter des conditions de service, mais sont conçues pour produire des contraintes spécifiques reproductibles dans les interfaces de l'isolateur.

Les cycles peuvent être interrompus pendant une durée totale de 2 h, pour inverser la direction de la charge et pour entretenir le matériel d'essai. Après toute interruption, le point de départ doit être le début du cycle interrompu.

10.4 Essais de charge du noyau assemblé

10.4.1 Essai de vérification de la charge de flexion maximale de conception (CFMC)

10.4.1.1 Echantillons d'essai

Trois isolateurs réalisés sur la ligne de production et équipés d'armatures d'extrémité standard doivent être sélectionnés. La longueur totale des isolateurs doit être comprise entre 15 fois et 18 fois le diamètre du noyau, à moins que le fabricant ne soit pas équipé pour réaliser une telle longueur. Dans ce cas, la longueur de l'isolateur doit être la plus proche possible de la gamme de longueur exigée.

Si les isolateurs n'ont pas déjà subi les essais individuels, ils doivent être examinés visuellement et leur conformité aux plans doit être vérifiée. Ils doivent ensuite être soumis à l'essai de traction individuel selon 13.1.

10.4.1.2 Procédure d'essai

L'isolateur doit être progressivement chargé jusqu'à 1,1 fois la CFMC, à une température de (20 ± 10) °C, et être maintenu à cette charge pendant 96 h. La charge doit être appliquée à l'isolateur à l'emplacement du conducteur, dans la direction appropriée pour les armatures d'extrémité, et initialement perpendiculaire au noyau de l'isolateur.

Après avoir retiré la charge, les opérations suivantes doivent être effectuées:

- inspecter visuellement le socle de l'isolateur à la recherche de craquelures ou de déformations permanentes;
- contrôler que les filetages de l'armature d'extrémité sont réutilisables.

Couper chaque isolateur à 90° par rapport à l'axe du noyau et à environ 50 mm du socle, puis couper le socle en deux moitiés dans le sens de la longueur, dans le plan de la charge de flexion appliquée précédemment. Les surfaces coupées doivent être polies à l'aide d'une toile abrasive fine (taille de grain 180).

- Inspecter visuellement les moitiés coupées, à la recherche de craquelures et de délaminage.
- Effectuer un essai de pénétration de colorant conformément à l'ISO 3452 sur les surfaces coupées pour faire apparaître les craquelures.

10.4.1.3 Critères d'acceptation

Est rejeté tout échantillon présentant une rupture sous la charge appliquée, des filetages non-réutilisables, des craquelures ou une déformation permanente du socle, des craquelures ou de délaminage du noyau.

10.4.2 Essai de charge de traction

10.4.2.1 Procédure d'essai

Trois isolateurs réalisés sur la ligne de production et équipés d'armatures d'extrémité standard doivent être sélectionnés.

Si les isolateurs n'ont pas déjà subi les essais individuels, ils doivent être examinés visuellement et leur conformité aux plans doit être vérifiée. Ils doivent ensuite être soumis à l'essai de traction individuel selon 13.1.

La charge de traction doit être appliquée dans l'alignement de l'axe du noyau de l'isolateur soit au point d'attache prévu pour le fonctionnement en service, soit près de celui-ci. La charge doit être augmentée rapidement, mais sans à-coups, de zéro à approximativement 75 % de la CTS puis augmentée progressivement en un temps compris entre 30 s et 90 s jusqu'à atteindre la CTS. Si la CTS est atteinte en moins de 90 s, la charge doit être maintenue jusqu'à 90 s.

10.4.2.2 Critères d'acceptation

L'essai doit être jugé satisfaisant s'il n'y a pas d'évidence:

- d'arrachement complet du noyau de l'armature d'extrémité;
- de rupture d'une armature d'extrémité.

11 Essais de type

Un type de l'isolateur est défini **électriquement** par la distance d'arc, la ligne de fuite, le profil du revêtement, le diamètre de l'ailette et le pas entre ailettes.

Les essais de type électriques doivent être effectués une seule fois sur les isolateurs satisfaisant aux conditions ci-dessus, et doivent être effectués avec des dispositifs de protection contre les arcs ou de contrôle de champ (qui sont en général nécessaires sur des isolateurs composites à des tensions de transport) s'ils font partie intégrante du type d'isolateur.

De plus, le Tableau 1 indique les caractéristiques de conception d'isolateur qui, si modifiées, demandent aussi la répétition des essais de type électriques.

Un type d'isolateur est défini **mécaniquement** par:

- la CFS,
- le matériau du noyau,
- le diamètre du noyau,
- la méthode de fixation des armatures d'extrémité,
- la zone de couplage du socle.

Les essais de type mécaniques doivent être effectués une seule fois sur les isolateurs conformes aux critères ci-dessus pour chaque type.

De plus, le Tableau 1 indique les caractéristiques de conception d'isolateur qui, si elles sont modifiées, demandent aussi la répétition des essais de type mécaniques.

S'ils n'ont pas déjà subi l'essai individuel, les isolateurs doivent être examinés visuellement pour vérifier leur conformité au plan en utilisant les tolérances données à l'Article 8. Ils doivent ensuite être soumis à l'essai mécanique individuel conformément à 13.1.

11.1 Essais électriques

Les essais électriques du Tableau 3 doivent être effectués selon 11.1.1 ou 11.1.2 (pour des isolateurs sans accessoires de ligne) ou selon la CEI 60383-2 (pour des isolateurs avec accessoires de ligne) pour confirmer les valeurs spécifiées. L'interpolation des résultats des essais électriques peut être utilisée pour des isolateurs de longueur intermédiaire, à condition que le facteur entre les distances d'arc des isolateurs dont les résultats forment les points terminaux de la gamme d'interpolation, soit inférieur ou égal à 1,5. L'extrapolation n'est pas admise.

Les essais électriques doivent être effectués avec l'isolateur soit vertical soit horizontal, dans la position la plus proche de celle où il sera utilisé en service.

Tableau 3 – Dispositifs de montage pour essais électriques

Essai	Dispositif de montage
Essai de tenue aux chocs de foudre à sec	Dispositif de montage standard d'un isolateur rigide à socle (11.1.1 ou 11.1.2) ou d'un isolateur équipé (CEI 60383-2) quand les essais aux chocs de manœuvre ne sont pas requis
Essai à fréquence industrielle sous pluie	Dispositif de montage standard d'un isolateur rigide à socle (11.1.1 ou 11.1.2) ou d'un isolateur équipé (CEI 60383-2) quand les essais aux chocs de manœuvre ne sont pas requis
Essai de tenue aux chocs de manœuvre sous pluie pour isolateurs prévus pour des systèmes avec $U_m \geq 300$ kV	Dispositif de montage standard d'un isolateur équipé (CEI 60383-2) quand les essais aux chocs de manœuvre sont requis

11.1.1 Dispositifs de montage vertical

L'isolateur doit être monté selon les exigences de la CEI 60383-1.

11.1.2 Dispositifs de montage horizontal

L'isolateur doit être monté en position horizontale sur un support métallique vertical mis à la terre constitué, par exemple, par un fer profilé en U. Ce support métallique doit avoir une largeur approximativement égale au diamètre du socle de l'isolateur essayé et une hauteur au moins égale à deux fois la longueur de cet isolateur. L'isolateur est placé à une distance du sol d'au moins 1 m ou de 1,5 fois sa longueur si cette valeur est plus grande. L'isolateur doit être monté sur le côté plat du profilé.

Si l'isolateur est équipé d'une embase intégrée formant un angle, il doit être monté à cet angle plutôt qu'à l'horizontale.

Aucun objet ne doit se trouver à moins de 1 m de l'isolateur ou à 1,5 fois la longueur de l'isolateur si cette valeur est plus grande.

On fixe, horizontalement, sur l'isolateur un conducteur d'au moins 13 mm de diamètre qui dépasse l'ailette supérieure de part et d'autre d'une longueur au moins égale à deux fois la longueur de l'isolateur. Le conducteur doit être d'une longueur telle que le contournement ne s'initie pas aux extrémités.

Si l'isolateur est équipé d'une pince, le conducteur doit être placé dans la pince.

Si l'isolateur n'a pas de pince intégrée, une pince appropriée doit être utilisée en l'attachant à l'isolateur par un moyen adéquat.

Si l'isolateur a une tête avec gorge, le conducteur doit être placé dans la gorge latérale supérieure. Il doit être fixé par un fil métallique d'environ 2,5 mm de diamètre qui s'enroule autour de ce dernier sur une distance sensiblement égale à deux fois le diamètre de l'ailette supérieure et réparti également de chaque côté de l'isolateur.

Pour les essais sous pluie, l'axe de l'isolateur doit être approximativement perpendiculaire à la direction de la pluie.

11.2 Essais mécaniques

L'interpolation des résultats des essais mécaniques peut être utilisée pour des isolateurs de longueur intermédiaire, à condition que le facteur entre la longueur des bras de levier des isolateurs dont les résultats forment les points terminaux de la gamme d'interpolation, soit inférieur ou égal à 1,5. L'extrapolation n'est pas admise.

11.2.1 Essai de charges de rupture en flexion

Cet essai doit être effectué à (20 ± 10) °C et sert à déterminer la charge de rupture d'un isolateur rigide à socle complet, tel que donné sur le dessin du fabricant. Les isolateurs composites pouvant subir des grandes flèches, l'appareil d'application de charge doit avoir une course suffisante pour assurer la rupture de l'isolateur.

11.2.1.1 Echantillons d'essai

Trois isolateurs fabriqués sur la chaîne de production et équipés de socles standard, doivent être sélectionnés.

11.2.1.2 Procédure d'essai

Il peut être nécessaire d'utiliser des boulons ou un dispositif spécial pour fixer solidement la plaque de base au gabarit d'essai. La charge de flexion doit être appliquée dans la direction prévue en service. La charge de flexion doit être augmentée rapidement, mais sans à-coups, de zéro à environ 75 % de la CFS, puis être augmentée progressivement pendant un temps compris entre 30 s et 300 s, jusqu'à la rupture du noyau ou de l'armature d'extrémité. Des précautions doivent être prises de façon à conserver la direction d'application de la charge le plus parallèle possible sa direction initiale. La charge de rupture en flexion est la charge maximale mesurée pendant l'essai.

Le mode de rupture doit être consigné dans le rapport d'essai.

11.2.1.3 Critères d'acceptation

Les trois valeurs de charge de rupture doivent être supérieures à la CFS.

12 Essais sur prélèvements

12.1 Règles générales

Pour les essais sur prélèvements, deux prélèvements sont effectués, E1 et E2. Les tailles de ces prélèvements sont indiquées dans le Tableau 4 ci-après. Si plus de 10 000 isolateurs sont concernés, ils doivent être divisés en un nombre de lots optimal comprenant entre 2 000 et 10 000 isolateurs. Les résultats des essais doivent être évalués séparément pour chaque lot.

Les isolateurs doivent être choisis au hasard dans le lot. L'acheteur a le droit d'effectuer la sélection. Les prélèvements doivent être soumis aux essais sur prélèvement applicables.

Les essais sur prélèvements sont:

- vérification des dimensions (E1 + E2)
- essai de galvanisation (E1 + E2)
- vérification de la CFS (E1)

Dans le cas où un prélèvement ne satisfait pas à un essai, l'essai sera répété selon la procédure de contre-épreuve de 11.5.

Seuls les isolateurs de l'échantillon E2 peuvent être utilisés en service et cela seulement si l'essai de galvanisation a été effectué avec la méthode magnétique.

Tableau 4 – Tailles des échantillons selon la taille du lot

Taille du lot (N)	Taille des prélèvements	
	E1	E2
$N \leq 100$	Selon accord	
$100 < N \leq 300$	2	1
$300 < N \leq 2\ 000$	4	3
$2\ 000 < N \leq 5\ 000$	8	4
$5\ 000 < N \leq 10\ 000$	12	6

12.2 Vérification des dimensions (E1 + E2)

Les dimensions indiquées sur les plans doivent être vérifiées. Les tolérances indiquées sur les plans sont valides. Si aucune tolérance n'est indiquée, celles mentionnées à l'Article 7 doivent être utilisées.

12.3 Essai de galvanisation (E1 + E2)

Cet essai doit être effectué sur toutes les pièces galvanisées, conformément à la CEI 60383-1.

12.4 Vérification de la CFS (E1)

12.4.1 Procédure d'essai

La charge de flexion doit être appliquée à l'isolateur à l'emplacement du conducteur, dans la direction prévue en service.

La charge doit être augmentée rapidement, mais sans à-coups, de zéro à approximativement 75 % de la CFS, puis être augmentée progressivement jusqu'à la CFS en un temps compris entre 30 s et 90 s. Si la CFS est atteinte en moins de 90 s, la charge doit être maintenue jusqu'à 90 s. Pour des objets en essai ayant une grande flèche il pourrait être impossible d'atteindre la CFS dans les 90 s; dans ce cas, la durée doit être notée dans le rapport d'essais.

Des précautions doivent être prises de façon à conserver la direction d'application de la charge le plus parallèle possible à sa direction initiale.

En vue d'obtenir un maximum d'informations de l'essai, la charge peut être augmentée jusqu'à la rupture du noyau ou de l'armature d'extrémité. Les valeurs de charge de rupture et les modes de rupture doivent être consignés.

12.4.2 Critères d'acceptation

L'isolateur doit être jugé satisfaisant si la CFS peut être maintenue pendant la durée exigée.

12.5 Procédure de contre-épreuve

Si un seul isolateur ou une seule armature d'extrémité ne satisfait pas aux essais sur prélèvements, un nouveau prélèvement égal à deux fois la quantité initialement soumise aux essais, doit être soumis à la contre-épreuve.

La contre-épreuve doit comporter l'essai au cours duquel le défaut a été constaté.

Si deux ou plusieurs isolateurs ou armatures d'extrémité ne satisfont pas à l'un des essais sur prélèvements, ou si un défaut est constaté lors de la contre-épreuve, la totalité du lot doit être considérée comme ne satisfaisant pas à la norme et doit être reprise par le fabricant.

Si la cause du défaut peut être identifiée clairement, le fabricant peut trier le lot pour éliminer les isolateurs présentant le défaut en question. Le lot trié peut alors être à nouveau présenté aux essais. Le nombre sélectionné pour l'essai doit être égal à trois fois la quantité choisie initialement pour les essais. Si un isolateur est défectueux lors de la contre-épreuve, la totalité du lot doit être considérée comme ne satisfaisant pas à la présente norme et doit être retiré par le fabricant.

13 Essais individuels

13.1 Essai de charge de traction

Chaque isolateur doit être soumis, pendant au moins 10 s et à température ambiante, à la plus grande des deux charges de traction suivantes: charge de traction d'au moins 50 % de la CTS ou 5 kN. La charge de traction doit être appliquée entre les points d'attache habituels.

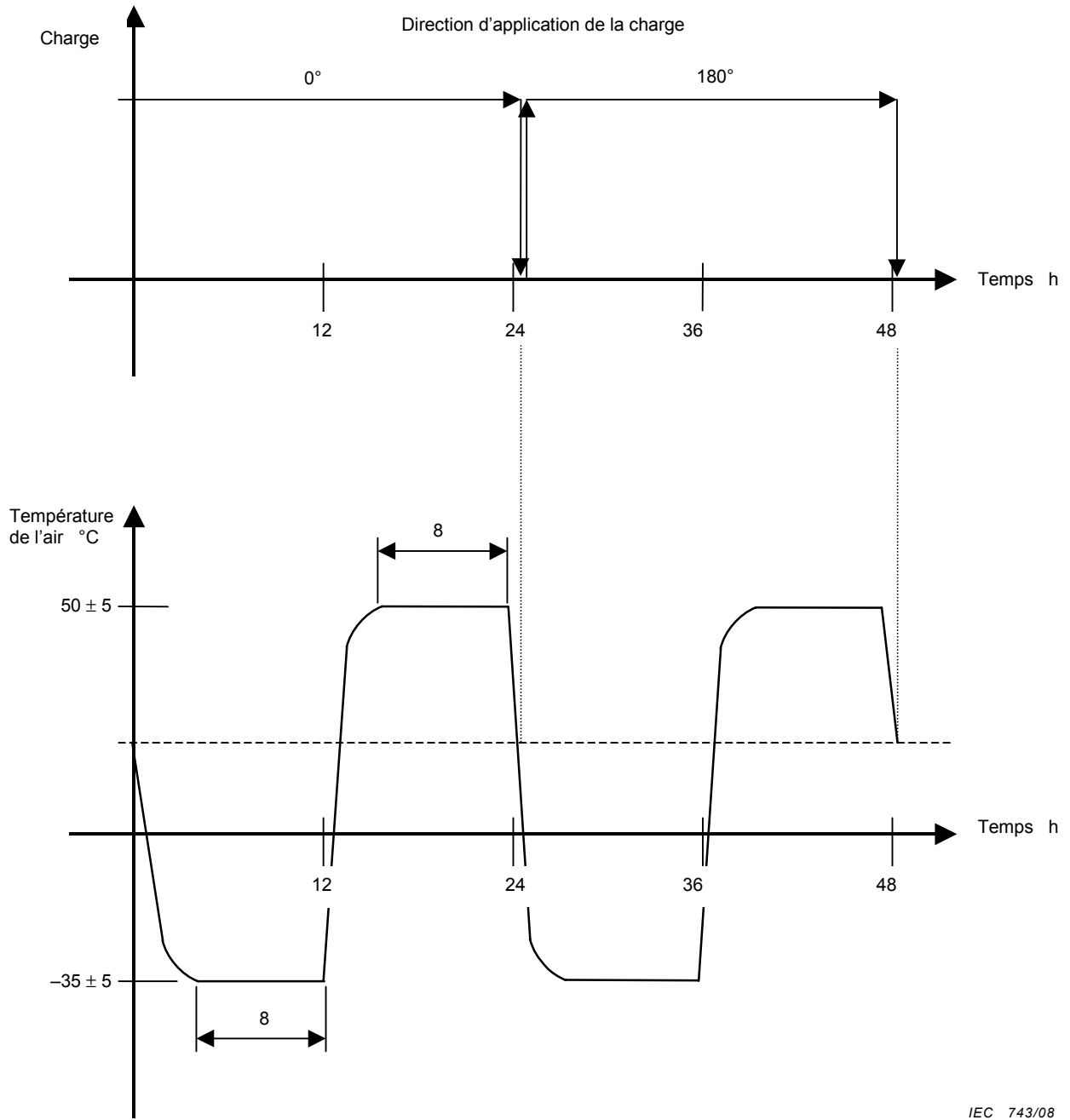
Aucun arrachement partiel ou complet du noyau hors des armatures d'extrémité ne doit se produire. Aucune déformation ou craquelure des armatures d'extrémité ne doit se produire.

13.2 Examen visuel

Chaque isolateur doit être examiné. Le montage des armatures d'extrémité sur les parties isolantes doit être conforme aux plans. La couleur de l'isolateur doit être approximativement celle spécifiée sur les plans. Les marquages doivent être conformes aux exigences de cette norme (voir Article 5).

Les imperfections suivantes ne sont pas acceptables:

- défauts superficiels d'aire supérieurs à 25 mm² (l'aire totale des défauts n'excédant pas 0,2 % de la surface totale de l'isolateur) ou d'une profondeur supérieure à 1 mm;
- fissures à la base des ailettes, en particulier près des armatures métalliques;
- séparation ou manque d'adhérence au joint entre le revêtement et l'armature métallique (si applicable);
- séparation ou défauts d'adhérence à l'interface entre l'ailette et la gaine de revêtement;
- bavures de moulage dépassant de plus de 1 mm de la surface du revêtement.



IEC 743/08

Figure 1 – Précontrainte thermomécanique – Cycles typiques

Annexe A (informative)

Notes sur les charges et les essais mécaniques

Cette annexe fournit des commentaires sur les différents essais mécaniques de cette norme.

A.1 Essais de conception

Pour une famille d'isolateurs rigides à socle, la contrainte ou le moment de flexion maximal de conception (généralement exprimé en mégapascals ou en newtons-mètres respectivement) limite les charges de flexion. Le noyau et les armatures d'extrémité définissent une famille d'isolateurs rigides à socle, chaque famille pouvant comporter des isolateurs de longueur différente.

La contrainte de flexion maximale de conception (qui résulte d'un essai de vérification de la CFMC) est la contrainte de flexion maximale utilisable de l'isolateur. Pour chaque famille d'isolateurs rigides à socle, un essai de charge de flexion de 96 h permet de vérifier que le noyau peut supporter la contrainte de flexion maximale de conception sans endommagement. Cet essai, en tant qu'essai de conception, ne doit être effectué qu'une seule fois sur un isolateur de longueur représentative pour chaque famille d'isolateurs.

De plus, un essai de charge de traction permet de vérifier la conception des armatures d'extrémité ainsi que la méthode de fixation.

A.2 Essais de type

Le diamètre du noyau, la longueur de couplage de l'isolateur et la méthode de fixation des armatures d'extrémité, définissent mécaniquement un type d'isolateur rigide à socle. Une charge de flexion maximale de conception (CFMC), en kilonewtons, est affectée à chaque type d'isolateur rigide à socle, généralement par interpolation à partir de l'essai de conception de vérification de la CFMC. Pour chaque type d'isolateur rigide à socle, la CFMC assignée est la limite ultime pour les charges de service. Un essai pour vérifier la CFMC de chaque type d'isolateur rigide à socle n'est pas spécifié dans la présente norme; un tel essai de type serait non économique et long à effectuer.

La charge de rupture en flexion est déterminée par un essai de charge instantané. Cette norme demande que la charge de rupture en flexion soit supérieure à la charge de flexion spécifiée, cette dernière étant la résistance instantanée de l'isolateur. L'essai de rupture en flexion vérifie que le noyau ou l'armature métallique de base ne cède pas à la charge de flexion spécifiée, bien que des dommages puissent se produire sur le noyau.

A.3 Essais sur prélèvements

Un essai de charge de flexion instantanée est inclus comme essai sur prélèvement afin de vérifier la charge de flexion spécifiée (CFS). Cet essai est effectué sur des isolateurs de production équipés d'armatures d'extrémité de production. Il est simple et relativement rapide à exécuter.

A.4 Essai individuel de traction

Un essai individuel de traction est spécifié à la place d'un essai de flexion. Cet essai permet de vérifier en partie l'opération d'accrochage des armatures d'extrémité pendant la fabrication et est semblable à l'essai individuel de traction effectué sur les isolateurs composites de suspension. Cet essai est utilisé car un essai de flexion à une valeur inférieure à la CFMC ne donnerait aucune information utile, les isolateurs composites n'étant pas fabriqués à partir de matériaux fragiles, contrairement à la porcelaine.

Contrairement aux isolateurs de suspension, cet essai peut être plus difficile à effectuer avec certaines conceptions d'armatures d'extrémité et de socles. Cette difficulté est due à certaines conceptions d'armatures d'extrémité, qui imposent à l'isolateur une charge de traction déséquilibrée. Il convient de prendre des dispositions pour assurer que la charge résultante est appliquée selon l'axe de l'isolateur.

.....

Annexe B (informative)

Détermination du moment de flexion équivalent résultant de charges combinées

B.1 Générale

Les isolateurs rigides à socle sont classés en fonction de leur charge de flexion maximale de conception (CFMC). En service, la charge de flexion exercée sur un isolateur horizontal peut être la charge qui résulte de la combinaison d'une charge verticale et d'une charge longitudinale. Outre la charge de flexion, une charge axiale (compression ou traction) peut aussi être présente. Il ne faut pas que le moment de flexion correspondant à la combinaison de ces charges ne dépasse le moment qui correspond à la CFMC.

Les isolateurs rigides à socle sont aussi souvent utilisés avec un hauban de rétention pour permettre de supporter des charges verticales supérieures. Dans une telle structure, l'isolateur est généralement orienté vers le haut de quelques degrés. Dans ce cas, une charge verticale crée des contraintes de compression dans l'isolateur rigide à socle.

Les articles suivants fournissent des renseignements sur le calcul du moment de flexion équivalent approximatif, lorsque les isolateurs rigides à socle, utilisés seuls ou dans une structure haubanée, sont soumis à des charges combinées.

Les abréviations suivantes sont utilisées:

C, T, V, L	charge de compression, de traction, verticale, longitudinale appliquée, en newtons
P_p	charge de compression résultante dans l'isolateur
P_b	charge de traction résultante dans le hauban
M_C	moment résultant dans le support sous compression
M_T	moment résultant dans le support sous traction
d	distance entre le point d'application de la charge et le bord supérieur du socle, en mètres
E	module de Young longitudinal (Pa) ou (N m^{-2})
I	moment d'inertie du fût, en mètres, à la puissance quatre (pour un fût rond solide de diamètre D : $I = \pi D^4/64$).

NOTE Il convient que les valeurs du module de Young et du moment d'inertie (ou diamètre réel) soient fournies par le fabricant.

B.2 Moment de flexion maximal admissible, M_{\max}

La charge de flexion maximale de conception d'un isolateur composite rigide à socle induit le moment de flexion maximal admissible $M_{\max} = \text{CFMC} \times d$. Il ne faut pas que la contrainte maximale associée à ce moment de flexion provoque de dommage au noyau de l'isolateur.

La contrainte combinée maximale est la contrainte maximale qui résulte des charges de flexion et de compression (ou de traction) appliquées simultanément. En service, il ne faut pas que les différentes combinaisons de charges ne provoquent un moment de flexion supérieur au moment de flexion induit par la CFMC.

B.3 Chargement combiné des isolateurs rigides à socle sans hauban

Les formules ci-après permettent la détermination du moment dans l'isolateur quand il est soumis à des charges combinées ou simples. Il convient de noter que l'exactitude de ces formules dépend de la flèche. Plus le moment s'approche de la CFMC, plus la formule devient inexacte.

Il convient également de noter que les charges appliquées peuvent donner lieu à des niveaux de contraintes dommageables dans les extrémités ou les accessoires même si le moment dans l'isolateur reste à un niveau acceptable.

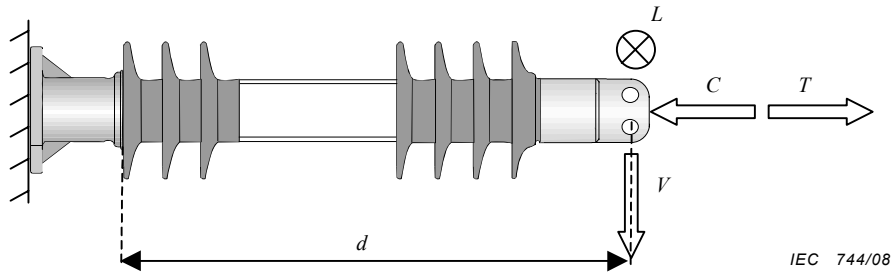


Figure B.1 – Charges combinées appliquées aux isolateurs sans hauban

Isolateurs horizontaux

En service, l'isolateur peut être soumis à la combinaison d'une charge verticale (V), d'une charge longitudinale (L) et d'une charge de compression (C) ou de traction (T). La charge verticale est généralement la charge principale, voire la seule charge.

A – Cas de compression

La somme des composantes verticales (V) et longitudinale (L) des charges applique une charge de flexion à l'isolateur, la charge de compression (C) est considérée appliquée à la tête de l'isolateur vers sa base. Le moment résultant de l'application de ces trois forces est donné par:

$$M_C = [(V^2+L^2)EI / C]^{1/2} \tan [d (C / EI)^{1/2}]$$

En service: il convient que M_C ne dépasse pas M_{max} .

B – Cas de traction

La somme des composantes verticales (V) et longitudinales (L) des charges applique une charge de flexion à l'isolateur, la charge de traction (T) est considérée appliquée à la tête de l'isolateur et s'éloignant de sa base. Le moment résultant de l'application de ces trois forces est donné par:

$$M_T = [(V^2+L^2)EI / T]^{1/2} \tanh [d (T / EI)^{1/2}]$$

En service: il convient que M_T ne dépasse pas M_{max} .

Isolateurs verticaux

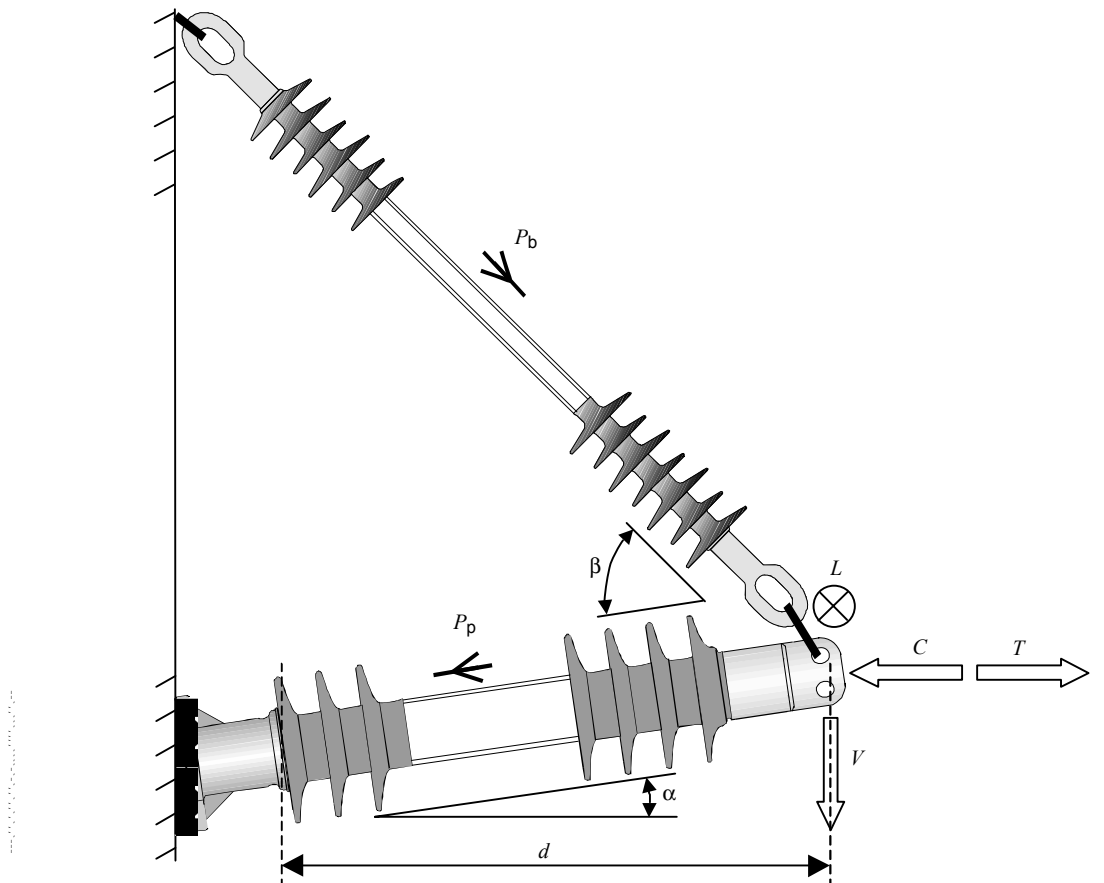
La formule du cas de compression ci-dessus peut être appliquée aux isolateurs verticaux. Il convient de bien veiller à utiliser les valeurs de charge appropriées: la charge verticale est maintenant la charge de compression C , et les charges V et L sont les charges appliquées à l'isolateur perpendiculairement à l'axe de l'isolateur.

B.4 Chargement combiné des isolateurs rigides à socle avec hauban

Le moment induit dans les isolateurs rigides à socle haubanés ne peut être déterminé par une formule que pour des efforts ou déplacements très faibles. Puisque de tels faibles efforts sont peu utiles pour la détermination du moment aux efforts de travail ou aux limites, ils n'ont volontairement pas été reproduits ici pour éviter tout risque d'erreur lors de la conception des structures isolantes haubanées.

La CIGRE a publié une information [2] sur l'application des calculs d'éléments finis avec grands déplacements pour la conception et la détermination de charges des structures isolantes à base d'isolateurs rigides à socle avec hauban.

La Figure B.2 est destinée à donner une référence commune lors de la définition de la spécification des efforts combinés sur les isolateurs rigides à socle avec hauban.



IEC 745/08

Légende

P_p effort de compression dans l'isolateur rigide à socle

P_b effort de traction dans le hauban

Figure B.2 – Charges combinées appliquées aux isolateurs haubanés

Bibliographie

- [1] CIGRE 22.03, Electra 169, 1996 – *Performances en flexion des consoles isolantes composites*
- [2] CIGRE 22.03, Electra 203, 2002 – *Guide pour l'évaluation des consoles isolantes soumises à une combinaison de charges mécaniques*
- [3] CEI 60507, *Essais sous pollution artificielle des isolateurs pour haute tension destinés aux réseaux à courant alternatif*
- [4] CEI 61467, *Isolateurs pour lignes aériennes de tension nominale supérieure à 1 000 V – Essais d'arc de puissance en courant alternatif des chaînes d'isolateurs équipées*
- [5] CEI 61462, *Isolateurs composites – Isolateurs creux pour appareillage électrique utilisé à l'intérieur ou à l'extérieur – Définitions, méthodes d'essais, critères d'acceptation et recommandations de conception*
- [6] IEC Guide 111: *Electrical high-voltage equipment in high-voltage substations - Common recommendations for product standards*
- [7] CEI 60050(471):2006, *Vocabulaire électrotechnique international (VEI) – Partie 471: Isolateurs*
- [8] CIGRE 22.03, Technical Brochure 184, 2001– *Composite Insulator Handling Guide*

.....

INTERNATIONAL
ELECTROTECHNICAL
COMMISSION

3, rue de Varembé
PO Box 131
CH-1211 Geneva 20
Switzerland

Tel: + 41 22 919 02 11
Fax: + 41 22 919 03 00
info@iec.ch
www.iec.ch